

AIM-33

Preliminary

5" Handheld Terminal 5" Smart Mobile POS



Features

- Industrial-grade mobile POS with built-in Cortex Quad Core, 1.3GHz
- Stylish and slim design provide ideal hand-held operation
- Modular configuration design for diversified applications
- Built-in MSR, IC, NFC Reader and 13M pixel camera
- Support optional 1D/2D barcode scanner
- Real-Time Data Transmissions via 4G LTE, Wi-Fi, or Bluetooth
- Battery supports Up to 10 Hours+ of Operation
- Support Android 5.1 operation system

Introduction

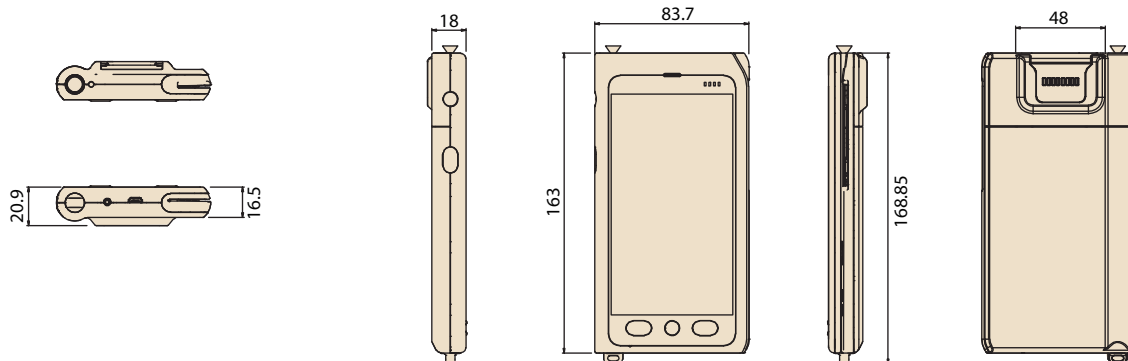
Advantech's AIM-33 is a mobile point-of-sale (mPOS) terminal designed for efficient and immediate order and payment processing operations. Targeted to the retail and hospitality industries, AIM-33 aims to satisfy demands for a lightweight yet rugged unit with an optimized price point to provide users with a versatile solution ideal for diverse application scenarios. The AIM-33 terminal also supports integration with various peripherals, such as a 1D/2D barcode scanner or 8M camera, for extending the system functions and capabilities to ultimately enhance the customer shopping experience, streamline operations, and increase productivity.

Specifications

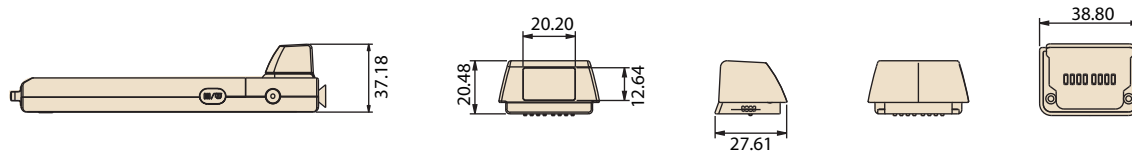
Processor	CPU	Cortex-A53, quad-core processor, 1.3 GHz
OS		Support Android 5.1
Memory		2GB
Storage		16GB
Audio System		Speaker, Microphone
Display	Size / Type	5" color touch screen, TFT LCD
	Max. Resolution	HD (1280 x 720)
	Brightness (cd/m ²)	450 cd/m ² LED back light
Touch Panel		Capacitive multi touch screen
Application Buttons		Power button x 1
		Quick button (Barcode/Camera) x1
		Function key x 3
I/O Port		1 x MicroSD (up to 32GB)
		1 x MicroUSB 2.0 client
		1 x Unique connector with UART and DC-IN
Communication	WLAN	Internal 802.11a/b/g/n WLAN module
	Bluetooth	BT4.0 LE + 3.0HS, NFC support
	GPS	GPS, Beidou and Glonass
	RFID (Contactless)	13.56 MHz; ISO 14443 Type A/B; ISO/IEC 15693; MIFARE; qPBOC; NFC
	WWAN	Dual SIM support, 4G/3.75G/2.5G
	MSR	3-Track MSR with 3-DES encryption; Built-in Triple DES and AES Encryption; DUKPT key management
Data Collection	IC Card Reader	5V smart card; ISO/IEC 7816-1, 2, 3, 4; T=0 & T = 1
		13M pixel camera with LED flash light 1D/2D barcode scanner (optional)
Dimensions & Weight		16 x 8.2 x 1.8 cm, 295 g (with battery)
Power	Battery	Li-Polymer battery, 4.2V @ 3600mAh
Environment	Operating Temperature	0 ~ 40° C
	Storage Temperature	0 ~ +60° C
	Operating Humidity	20% ~ 90%, non-condensing
Seal		Water splash resistance at front surface
Package Bundle		Power Adapter with Micro USB connector (5V, 1A)
Certifications		CCC, CE, FCC, NCC, BSMI

Dimensions

Unit: mm



Barcode Scanner



Ordering information

Handheld

P/N	Description
AIM-33AT-M1110E	1.3GHz, 2GB RAM, 16GB Storage, Android5.1, 5" Cap. T/P, LTE/Wi-Fi/GPS/BT, IC, MSR and NFC card reader, 13M camera
AIM-33AT-S1110E	1.3GHz, 2GB RAM, 16GB Storage, NFC card reader, Android5.1, 5" Cap. T/P, LTE/Wi-Fi/GPS/BT, 13M camera

Peripheral Spec.

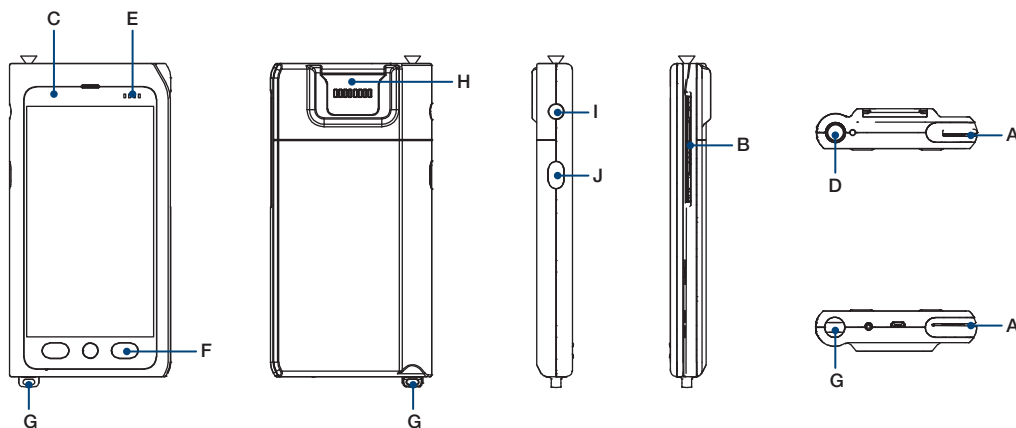
Barcode Scanner

Barcode	Honeywell 1D/2D barcode engine
Dimension	20.48 x 20.2 x 27.61 (mm)

Peripherals

P/N	Description
AIM-P301	1D/2D Honeywell barcode engine

Fully-Integrated I/O



- A: MSR
- B: IC Card Reader
- C: NRF Reader Module (under screen panel)
- D: Camera with LED flash
- E: LED indicators
- F: Function Keys
- G: Wristband slot
- H: Connector (DC-in, USB 2.0 and UART)
- I: Power Key
- J: Quick button (Barcode/Camera)