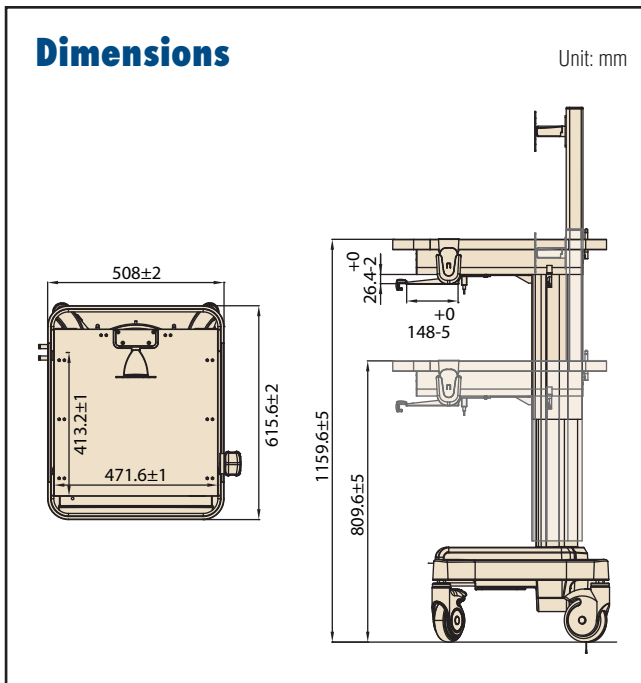
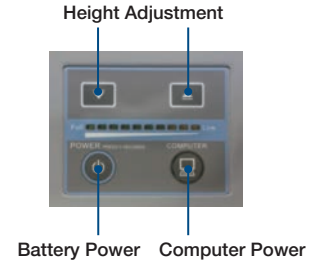


Dimensions

Unit: mm

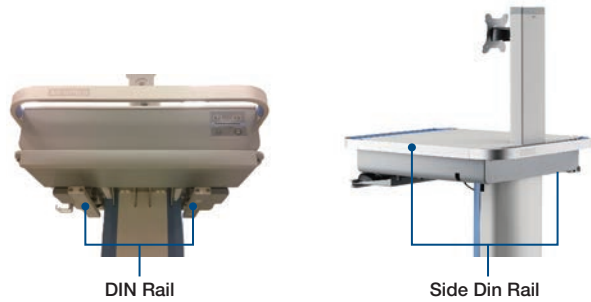


Control Panel



Din Rail

For accessory and device integration



Ordering Information

Part Number	Motor	Embedded Computer	Battery
AMIS-30I-GM1-G2NE	Yes	Intel® Celeron® 2980U	210W

Peripheral Ordering Information

Power Cord

Part Number	Power Cord Type (Spiral)
1700019822	China
1700019823	US
1700019824	EU
1700019825	UK
1700020538-01	Australia
1700022626-01	Brazil

Display

Part Number	Touch	DICOM preset	True Flat	Power
PDC-W215-DC-BTE	Yes	Yes	Yes	DC
PDC-W215-DC-BE	No	Yes	Yes	DC
AMT-1021N-D25W1	No	No	No	DC

Accessories

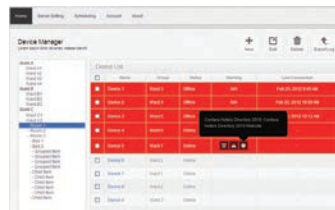
Part Number	Description
AMIS-30-MD-00-AE	Install medication box din-rail kit

Battery

iPS-M210S LiFePO₄ Battery



AMiS_Link



AMiS Accessories

Medication Box

AMIS-60-MED2-16-AE

4U Medication Box

- Rack: 1U drawer x 1, 3U drawer x 1
- Dimension: 330 x 500 x 360 mm (13" x 19.7" x 14.2")
- Material: Metal
- Weight: 15 kg (33 lbs)



AMIS-60-MED2-17-AE

4U Medication Box

- Rack: 2U drawer x 2
- Dimension: 330 x 500 x 360 mm (13" x 19.7" x 14.2")
- Material: Metal
- Weight: 14.8 kg (32.6 lbs)



AMIS-60-MED3-12-AE

4U Medication Box

- Rack: Medicine Tray x 1, 1U drawer x1, 2U drawer x1
- Dimension: 330 x 500 x 360 mm (13" x 19.7" x 14.2")
- Material: Metal for main housing and drawers
Plastic for Medicine Tray
- Weight: 15 kg (33 lbs)



AMIS-60-MED3-15-AE

4U Medication Box

- Rack: 1U drawer x 2, 2U drawer x 1
- Dimension: 330 x 500 x 360 mm (13" x 19.7" x 14.2")
- Material: Metal
- Weight: 15.2 kg (33.5 lbs)



AMIS-60-MED3-18-AE

4U Medication Box

- Rack: Medicine Tray x 2, 2U drawer x1
- Dimension: 330 x 500 x 360 mm (13" x 19.7" x 14.2")
- Material: Metal for main housing and drawers
Plastic for Medicine Tray
- Weight: 14.2 kg (31.3 lbs)



AMIS-60-MED4-11-AE

4U Medication Box

- Rack: Medicine Tray x 1, 1U drawer x3
- Dimension: 330 x 500 x 360 mm (13" x 19.7" x 14.2")
- Material: Metal for main housing and drawers
Plastic for Medicine Tray
- Weight: 14.8 kg (32.6 lbs)



AMIS-60-MED4-19-AE

4U Medication Box

- Rack: Medicine Tray x 2, 1U drawer x2
- Dimension: 330 x 500 x 360 mm (13" x 19.7" x 14.2")
- Material: Metal for main housing and drawers
Plastic for Medicine Tray
- Weight: 14.5 kg (32 lbs)



AMIS-60-MED5-22-AE

5U Medication Box

- Rack: 1U drawer x1, 2U drawer x2
- Dimension: 330 x 500 x 555 mm (13" x 19.7" x 21.9")
- Material: Metal
- Weight: 17 kg (38.3 lbs)



AMIS-60-MED6-20-AE

6U Medication Box

- Rack: Medicine Tray x 1, 1U drawer x1, 2U drawer x2
- Dimension: 330 x 500 x 625 mm (13" x 19.7" x 24.6")
- Material: Metal for main housing and drawers
Plastic for Medicine Tray
- Weight: 20 kg (44 lbs)



Holder

AMIS-60-HD-00-AE

Hand Disinfection Holder

- Dimension: 127 x 101.6 x 127 mm (5" x 4" x 5")
- Weight: 0.8 kg (1.8 lbs)



AMIS-60-SH-00-AE

Sharp Container and Hand Disinfection Holder

- Dimension: 304.8 x 203.2 x 139.7 mm (12" x 8" x 5.5")
- Weight: 1 kg (2.2 lbs)



AMIS-60-SC-01-AE

Sharp Container x 2

- Dimension: 304.8 x 165.1 x 88.9 mm (12" x 6.5" x 3.5")
- Weight: 0.72 kg (1.58 lbs)



AMIS-50-MH-00-AE

Mouse Holder

- Dimension: 127 x 76.2 x 50.8 mm (5" x 3" x 2")
- Weight: 0.09 kg (0.2 lbs)



AMIS-60-BS-00-AE

Barcode Scanner Mount on Neck

- Dimension: 127 x 76.2 x 63.5 mm (5" x 3" x 2.5")
- Weight: 0.06 kg (0.13 lbs)



9658A05005E

Scanner Holder

- Dimension: 127 x 50.8 x 76.2 mm (5" x 2" x 3")
- Weight: 0.09 kg (0.2 lbs)



9658A05001E

Power Holder

- Dimension: 127 x 57.2 x 38.1 mm (5" x 2.25" x 1.5")
- Weight: 0.18 kg (0.4 lbs)



9658A05002E

Sharps Holder

- Dimension: 304.8 x 203.2 x 101.6 mm (12" x 8" x 4")
- Weight: 0.45 kg (1 lbs)



AMIS-50-AACN-00-AE

Glove Compartment

- Dimension: 317.5 x 228.6 x 342.9 mm (12.5" x 9" x 13.5")
- Weight: 2.76 kg (6.08 lbs)



9658A05003E

Glove Box Holder

- Dimension: 254 x 139.7 x 88.9 mm (10" x 5.5" x 3.5")
- Weight: 0.5 kg (1.12 lbs)



AMiS Accessories

Basket

AMIS-60-BK-00-AE

Storage Baskets

- Dimension: 254 x 149.9 x 167.6 mm (10" x 5.9" x 6.6")
- Weight: 0.6 kg (1.3 lbs)



9658A05013E

Storage Baskets

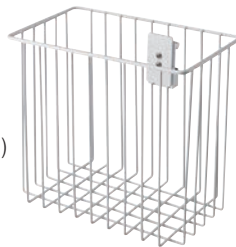
- Dimension: 254 x 254 x 101.6 mm (10" x 10" x 4")
- Weight: 0.84 kg (1.85 lbs)



9658A05012E

Storage Baskets

- Dimension: 254 x 152.4 x 228.6 mm (10" x 6" x 9")
- Weight: 0.6 kg (1.36 lbs)



9658A05011E

Storage Baskets

- Dimension: 127 x 127 x 101.6 mm (5" x 5" x 4")
- Weight: 0.29 kg (0.65 lbs)



9658A05009E

Chart Holder

- Dimension: 330.2 x 82.55 x 254 mm (13" x 3.25" x 10")
- Weight: 0.6 kg (1.36 lbs)



Infusion Equipment

9658A05008E

IV Pole

- Dimension: 228.6 x 101.6 mm (9" x 4")
- Weight: 0.27 kg (0.6 lbs)



9658A05016E

SSM Arm

- Dimension: 508 x 381 x 76.2 mm (20" x 15" x 3")
- Weight: 1.55 kg (3.41 lbs)



AMIS-60-IF-00-AE

Infusion Frame + Mount Kit

- Dimension: 660.4 ~ 1066.8 mm (26" ~42")
- Weight: 0.8 kg (1.78 lbs)



Trash Can

AMIS-50-TC-10-AE

Monocular Trash Can

- Dimension: 390 x 295 x 395 mm (15.4" x 11.4" x 15.6")
- Capacity: 10L
- Weight: 3.8 kg (8.38 lb)



AMIS-50-TC-30-AE

Binocular Nursing Trash Can

- Dimension: 500 x 440 x 440 mm (19.7" x 17.3" x 17.3")
- Capacity: 12L
- Weight: 4.2 kg (9.3 lbs)



Others

9658A05006E

Cord Wrap

- Dimension: 165.1 x 38.1 x 38.1 mm (6.5" x 1.5" x 1.5")
- Weight: 0.23 kg (0.51 lbs)



9658A05007E

Utility Clip

- Dimension: 63.5 x 101.6 x 63.5 mm (2.5" x 4" x 2.5")
- Weight: 0.2 kg (0.45 lbs)



9658A05014E

Tubing Clips

- Dimension: 76.2 x 38.1 mm (3" x 1.5")
- Weight: 0.36 kg (0.79 lbs)



9658A05015E

Supply Clip

- Dimension: 63.5 x 76.2 mm (2.5" x 3")
- Weight: 0.41 kg (0.9 lbs)



9658A05017E

Track Adapter

- Dimension: 88.9 x 38.1 mm (3.5" x 1.5")
- Weight: 0.36 kg (0.79 lbs)



AMIS-60-EP-00-AE

Expand Plate + Mount Kit

- Dimension: 525 x 405 x 310 mm (20.7" x 15.9" x 12.2)
- Weight: 1.5 kg (3.3 lbs)



AMiS Accessories

Storage Box

AMIS-50-SB-MAIN-AE

Main Housing (for AMIS-50)

- Dimension: 550 x 400 x 210 mm (21.65" x 15.75" x 8.27")
- Weight: 3.07 kg (6.77 lbs)



AMIS-60-SB-MAIN-AE

Main Housing (for AMIS-60)

- Dimension: 550 x 400 x 210 mm (21.65" x 15.75" x 8.27")
- Weight: 3.07 kg (3.77 lbs)



AMIS-60-SB-BIN-AE

Blue Bin

- Dimension: 109 x 84 x 95 mm (4.29" x 3.3" x 3.74")
- Weight: 0.29 kg (0.64 lbs)
- Packing 10pcs/carton



AMIS-60-SB-DWR-AE

White Drawer

- Dimension: 230 x 184 x 81 mm (9.06" x 7.24" x 3.19")
- Weight : 0.53 kg (1.17 lbs)
- Packing 10pcs/carton



AMIS-60-SB-HDR-AE

Bottle Holder

- Dimension: 164 x 78 x 46 mm (6.46" x 3.07" x 1.81")
- Weight: 0.12 kg (0.27 lbs)
- Packing: 10pcs / carton



Storage Box Customization

Two layers are available for customization. For each layer, either white drawer or blue bin can be selected.

