

# MIC-7300

## Compact Fanless System with Intel® Celeron® N3350/Atom™ x7-E3950 Processor



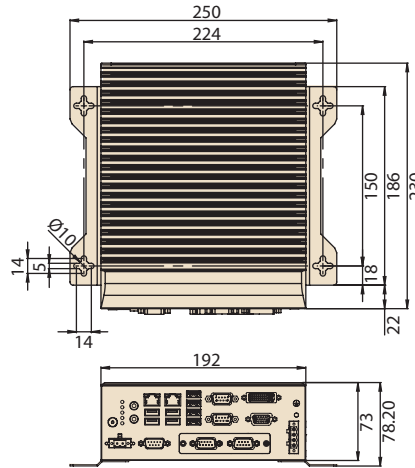
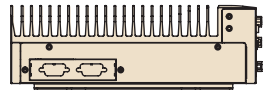
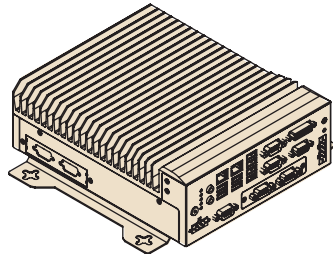
### Features

- Intel® Celeron® N3350/Atom™ x7-E3950 processor
- 2 x RS-232/422/485 and 4 x RS232 serial ports (with expansion cable)
- 1 x 2.5" HDD and 1 x mSATA
- Supports 1 x 6-bit GPIO module
- 6 x USB 2.0 and 2 x USB 3.0
- VGA and DVI output
- Supports Advantech i-Modules, SUSIAccess, and embedded software APIs
- 9 ~ 36V<sub>DC</sub> input power
- Wide operating temperature N3350 (-10 ~ 60 °C)
- Wide operating temperature E3950 (-20 ~ 60 °C)

### Specifications

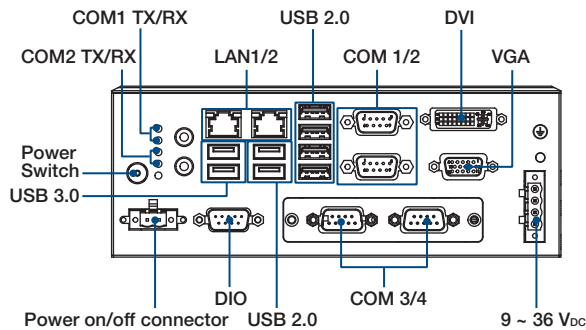
System Chipset	CPU	Intel® Celeron® N3350	Intel® Atom™ x7-E3950	
	Maximum Speed	2.4 GHz	2.0 GHz	
	L3 Cache	2M	2M	
	BIOS	128Mb SPI ROM		
Memory	Technology	Dual channel DDR3L (up to 1867 MT/s) (without ECC)		
	Socket	2 x SODIMM DDR3L (up to 4GB per socket)		
	Maximum Capacity	8GB		
Display	Chipset	Low-power Gen9 graphics with up to 18EUs		
	VGA	1 x DB15, up to 1920 x 1080 resolution		
	DVI	1 x DVI, up to 1920 x 1080 resolution (with optional cable expansion for second DVI connector)		
	Multiple Display	Supports 3 x independent displays		
Ethernet	Controller	LAN1: Intel® i210AT (supports wake-on-LAN) LAN2: Intel® i210AT (supports wake-on-LAN)		
	Interface	2 x RJ45		
Storage	HDD	1 x 2.5" HDD		
I/O	USB	2 x front USB 3.0, 6 x front USB 2.0, 1 x internal USB 2.0		
	Serial Port	2 x DB9, RS232/422/485 with automatic flow control and 4 x RS-232 (with optional cable expansion)		
	Audio	2 (1 x line out and 1 x mic in)		
Expansion	Module	Supports Advantech i-Modules (MIC-73M13, MIC-73M11, MIC-73M20)		
	Mini PCIe	1 x mini PCIe or mSATA		
LED and Switch	LED	2 x TX, 2 x RX, and 1 x Storage		
	Button	1 x Power on/off switch		
Power	Type	ATX/AT		
	Input Voltage	9 ~ 36 V <sub>DC</sub>		
Watchdog Timer	Output	System reset		
	Interval	Programmable 1 ~ 255 sec/min		
Environment	Temperature	Operating (with industrial SSD)	Operating (with HDD)	Non-operating
		N3350: -10 ~ 60 °C with 0.7 m/s air flow E3950: -20 ~ 60 °C with 0.7 m/s air flow	0 ~ 40 °C	-40 ~ 85 °C
	Humidity	95% @ 40 °C (non-condensing)		
	Vibration	With SSD: 3 Grms @ 5 ~ 500 Hz, random, 1 hr/axis With 2.5" HDD: 1 Grms @ 5 ~ 500 Hz, random, 1 hr/axis		
	Shock	With SSD: 20G, IEC-68-2-27, half-sine wave, 11 ms duration		
Mechanical	Dimensions (W x H x D)	74 x 192 x 230 mm		
	Weight	2.9 kg (6.39 lbs)		
	Installation	Desktop/wall mount		
Certifications	EMC	CE/FCC Class A, CCC, BSMI		
	Safety	UL, CCC, BSMI		

## Dimensions

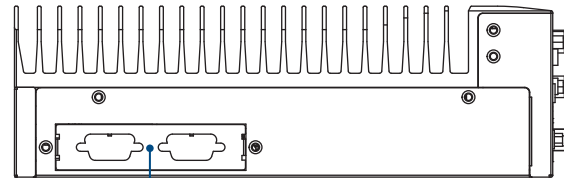


Unit: mm

## Front View



## Side View



iDoor or 2 x RS-232 expansion slots

## Ordering Information

Part Number	CPU	VGA	DVI	2.5" HDD	USB2.0	USB3.0	GbE	COM	PCIe	Power
MIC-7300-S6A1E	Intel® Atom™ x7-E3950	1	1	1	6	2	2	4	i-Module (optional)	9 ~ 36V <sub>DC</sub>
MIC-7300-S1A1E	Intel® Celeron® N3350	1	1	1	6	2	2	4	i-Module (optional)	9 ~ 36V <sub>DC</sub>

## Packing List

Part Number	Description
MIC-7300	Intel® Celeron® N3350/Atom™ x7-E3950 processor
2061730000	CD-ROM
2001730000	MIC-7300 startup manual (ENG+CN)
2001730010	MIC-7300 startup manual (TC)
1652003234	4-pin Phoenix power connector
1960070543N001	2 x Mounting bracket
1700013095	SATA cable
1700024372-01	SATA power cable
1701200220	Dual DB9 port cable

## Optional Accessories

Part Number	Description
96PSA-A150W19P4-1	Adaptor A/D, 100-240V, 150W, 19V
1702002600	Power cord (USA) UL/CSA, 3-pin, 10A, 125V, 1.83 M, 180 D
1700022940-01	Power cord PSE, 3-pin, 7A, 125V, 3 m, DAC-ST01
1702002605	Power cord (EU) 2-pin, 10/16A, 220V, 1.83 M, 90 D
AIIS-DI032-00A1E	AIIS GPIO module (32 bit)
98R2C48510E	Isolation COM module
PCA-TPM-00B1E	TPM 2.0 module
98R1750000E	Secondary DVI cable accessory kit
98R1750010E	Secondary HDMI cable/Remote power connector accessory kit
1701200220	DP9 2 port cable

Note:

- MIC-7300 supports Advantech iDoor modules (both MOS and PCM series). Visit the Advantech website for more information.
- The PCM series module requires a bracket (P/N: 1960065854N001) that must be ordered separately.

## Optional i-Modules\*

Part Number	Description
MIC-73M13	4-slot expansion module (1x PCIe and 3x PCI slots)
MIC-73M20	2-slot expansion module (2x PCIe slots)
MIC-73M11	2-slot expansion module (1x PCIe and 1x PCI slots)

\*Additional i-Module information is provided on page 5-16.

## Embedded OS

Part Number	Description
TBD	WES7P MIC-7300 x64 image