

7" Pocket Pad

7" Windows-based Pocket Pad



Features

- Pocket-size solution fits in your hand
- 7" HD resolution LCD with P-cap Multi-Touch for better user experience
- Runs on Intel® Atom™ processor Z series
- Supports Windows 8.1 Industry Pro and Windows 10 IoT
- IP54 enclosure to protect from dust and water splashing for ease of cleaning
- Embedded with 1D/2D Barcode Scanner, 2 MP front camera, 8 MP AF rear camera w/ flash



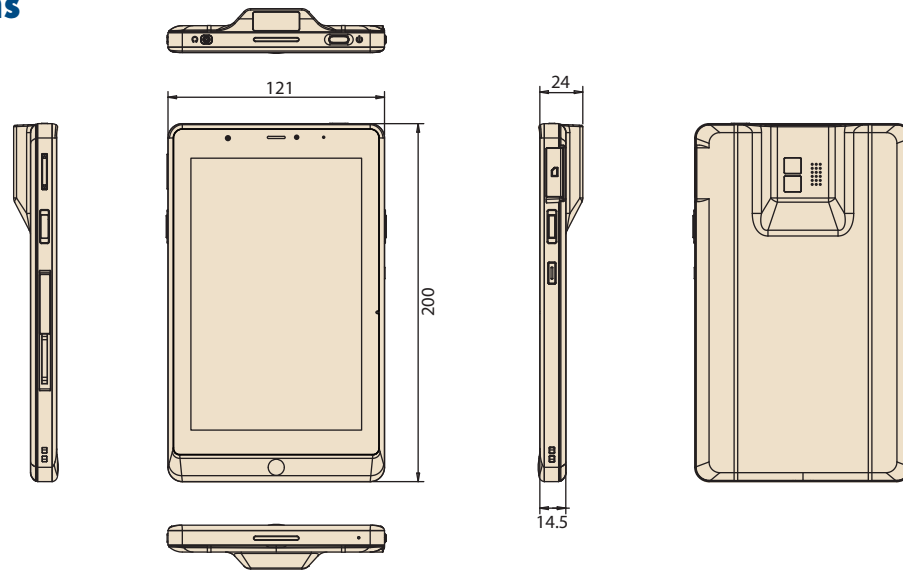
Specifications

Physical Characteristics	Dimensions (W x H x D)	121 x 200 x 14.5 / 24 (mm) bottom / top
	Weight	460 g
Size		7" Display
Display	Touch Panel	10-point P-cap Touch
	Display Type	7" TFT LCD Panel
	Max. Resolution	800 x 1280
Computing System	CPU	Intel® Atom™ Bay Trail-T processor
	Memory	LPDDR III 4G
	Operating System	Windows 8.1 Industry Pro / Windows 10 IoT
Storage	HDD	EMMC 32G
Communications	WiFi	Wireless 802.11 a/b/g/n
	BT	Bluetooth v4.0
	GPS	Yes
	NFC	Yes
Audio		Speaker x 1, microphone x 1, receiver x 1
Connectivity	I/O Ports	Docking connector x 1 <ul style="list-style-type: none"> ▪ USB 3.0 x 1 ▪ HDMI out x 1 Micro SD slot x 1 Line out x 1
	Embedded I/O Devices	2 MP front camera 8 MP AF rear camera w/ flash 1D/2D Barcode scanner
Control Buttons		7 buttons (power, volume up & down, programmable key, barcode key x 2, Home key)
Power Supply	AC In	100 – 240 V ~ 1.5A 50/60 Hz
	DC Out	5V / 2A
	Battery Type	Lithium-ion battery
	Battery Capacity	4100 mAh
Ingress Protection	Water / Dust Resistance	IP54-rated, Alcohol resistant for cleaning purposes
Environment	Temperature	Operating: 0° C ~ +40° C, Storage: -20° C ~ +60° C
	Humidity	Operating: 10% ~ 95% @ 40° C non-condensing, Storage: 10% ~ 95% @ 40° C non-condensing
	Shock Resistance	Operating: 10 G, 11 ms, Non-operating: 30 G, 11ms
	Drop Test	Height: 90 cm, for 6 faces
Certifications		FCC Part 15 Class B, UL, CE, CB60950, RoHS

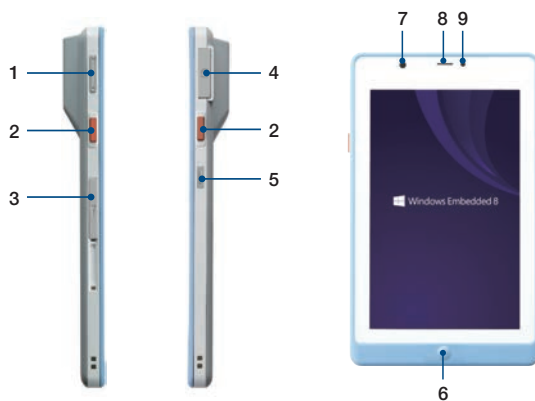
7" Pocket Pad

Dimensions

Unit: mm



Function Keys



1. Volume control
2. Barcode scanner
3. Docking port
4. MicroSD card slot
5. Programmable key

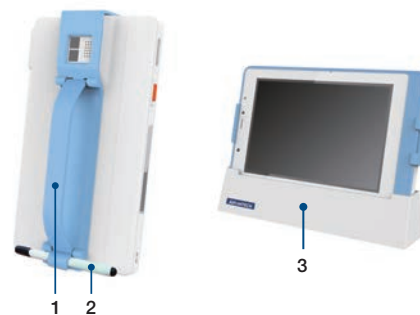
6. Home key
7. Front camera
8. Receiver
9. Ambient sensor

Ordering Information

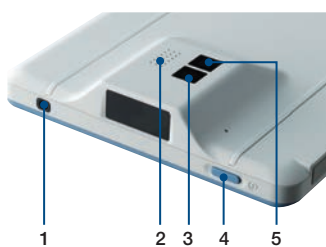
Part Number	Description
MICA-071-A11-A1E	7" Pocketable Pad

Accessories

Part Number	Description
MICA-071-DCRE	MICA-071 Docking station
MICA-071-VCRE	MICA-071 VESA mounting kit

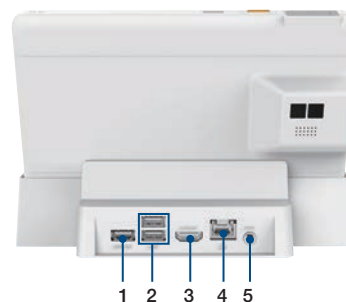


1. Tablet holder
2. Stylus pen
3. Docking station



1. Line out
2. Speaker
3. Rear camera (Auto focus)

4. Power
5. Flashlight



1. USB 3.0
2. USB 2.0 x 2
3. HDMI
4. LAN
5. DC in