

# MIT-W101

## 10" Industrial Tablet PC with Intel® Celeron® Processor



### Features

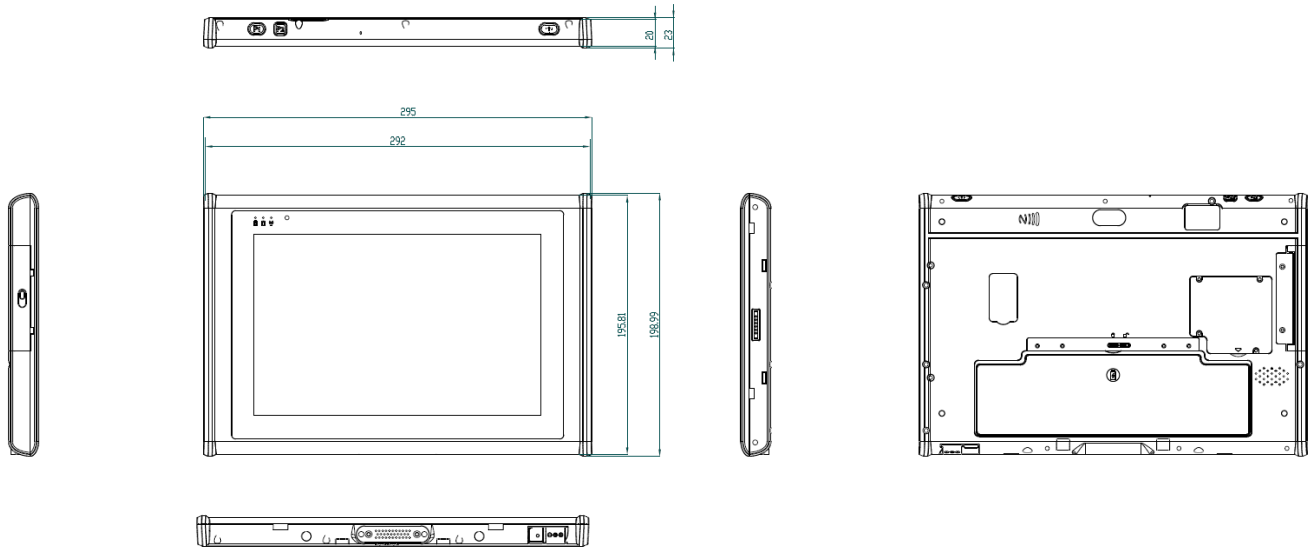
- Intel® Celeron® N2930 Quad Core processor
- Supports Windows 8 Operating System
- 10.1" WXGA, Projective Capacitive Multi Touch Display
- -10°C to 50°C (14°F to 122°F), IP65, MIL-STD 810G / 4ft drop compliant
- Compact/Slim Design: 20mm/0.79inch height
- Seamless Communications, Including Wi-Fi, BT, NFC
- Warm Swappable Battery
- Optional Integrated 1D/2D Barcode Scanner and Expansion Module (MSR+SMC)
- Optional Accessories include: 6ft Drop Rugged Bumpers, Docking Station, Rear Hand Strap, and Kickstand

### Specifications

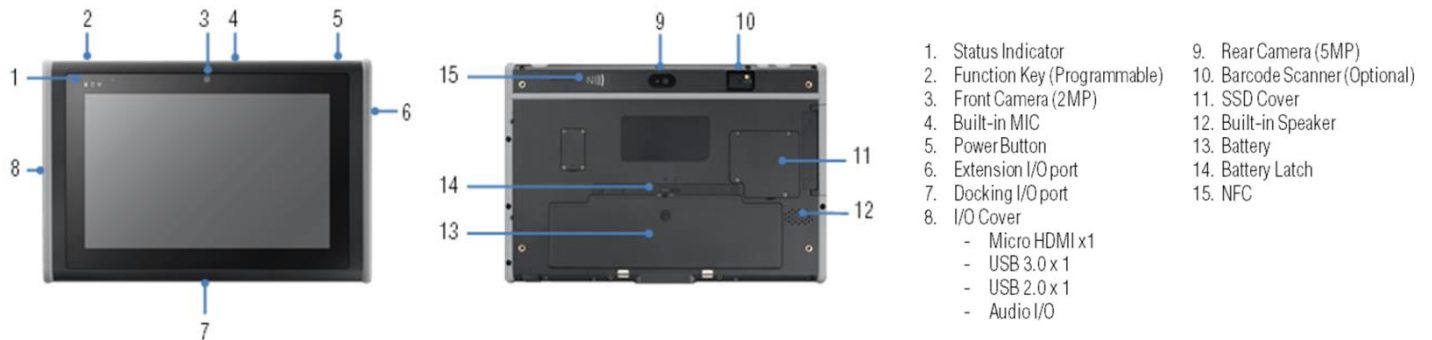
Computing System	CPU	Intel® Celeron® Processor N2930
	Max. Speed	Quad Core 1.83GHz
	Memory	DDR3L 1066MHz SODIMM (Default 4GB / Up to 8GB)
	Operating System	Microsoft Windows Embedded 8 (Default), Microsoft Windows Embedded 7 (Optional)
Storage	SSD	1 x mSATA SSD (Default 64GB / supports up to 128GB)
Display	Display Type	10.1" TFT LCD Panel
	Max. Resolution	1280 x 800
	Touch Type	Projected Capacitive Multi-Touch
	Glass Type	Enhanced Glass
Communication	WIFI	Wireless IEEE 802.11a/b/g/n
	Bluetooth	Bluetooth v4.0 CLASS II
	NFC	Read/Write Device Compatible With ISO15693, ISO14443A, ISO14443B, Felica
Audio		Internal speaker x 1, Internal Mono Microphone x 1
Connectivity	I/O Port Interfaces	Combo Audio x1, USB 3.0 x1, USB 2.0 x1, Micro HDMI x1, DC Jack x1, Expansion Port x1, Docking Port x1
	Embedded I/O Devices	2.0M Fixed Focus Camera At Front 5.0M Auto Focus Camera With LED Flash At Rear 2D Barcode Scanner (Optional)
Expansion Module		MSR + Smart Card Reader (Optional)
Control Buttons		Power Button Programmable Button x2
System Indicators		Power / Battery Status x1, HDD x1, Wireless /BT x1
Ingress Protection	Water / Dust Resistance	IP-65
Power Supply	AC Adapter In	100 – 240 V ~ 1.5A 50/60 Hz
	AC Adapter Out	19 V, 3.4 A Max, 65 W
	Battery Capacity	Main Battery: 31.7 Whrs (11.1V 2860mAh) Extended Battery: 49 Whrs (11.1V 4540mAh) (Optional)
Environment	Temperature	Operating: -10°C ~ +50°C, 14°F to 122°F Storage: -30°C ~ +70°C, -22°F to 158°F
	Humidity	Operating: 5% ~ 95% @ 40°C/104°F non-condensing, Storage: 5% ~ 95% @ 40°C/104°F non-condensing
	Vibration	Operation: (5-500GHz) 1G Non-operating: (5-500GHz) 0.04PSD
	Shock Resistance	Operating: 20 G, 11 ms, Non-operating: 40 G, 11ms
	Handling Drop	4ft drop onto steel plate, 4ft drop onto 2inch plywood over concrete (MIL-STD 810G) Compliant 6ft drop with add-on bumper
Physical Characteristics	Dimension (W x H x D)	292 x 196 x 20 mm/ 11.5 x 7.7 x 0.79 inches
	Weight	1.1 Kg (Base Configuration)
	Color	Black
Regulatory Approvals		FCC Class B, CE, CB, IEC 60950-1

## Dimensions

Unit: mm



## Front/Rear View



## Ordering Information

Part Number	Description
MIT-W101-Q04DNB00E	N2930/ 4GDDR/ 64GSSD/ WiFi/ BT/ Black/ WES8
MIT-W101-Q04DNBF2E	N2930/ 4GDDR/ 64GSSD/ WiFi/ BT/ Barcode/ Black/ WES8

## Peripheral Ordering Information

Part Number	Description
170203180A	Power Cord 3P UK 2.5A/ 3A 250V 1.83M
170203183C	Power Cord 3P Europe (WS-010+WS-083) 1.83M
1700001524	Power Cord 3P UL 10A 125V 1.8M