

# POC-W181

## 18.5" Widescreen Point-of-Care Terminal with Intel® Core™ i7 Processor and Fanless Design



### Features

- 18.5" HD resolution TFT LCD with true flat bezel design
- Intel® Core™ i7-2610UE Processor (4M Cache, 1.5 GHz)
- Fanless and cable-free design with integrated line receiver
- UL60601-1/EN60601-1 third edition certified
- Isolated serial and LAN ports
- High reliability
- Optional Bluetooth, RFID, WLAN, smart card reader and back-up battery



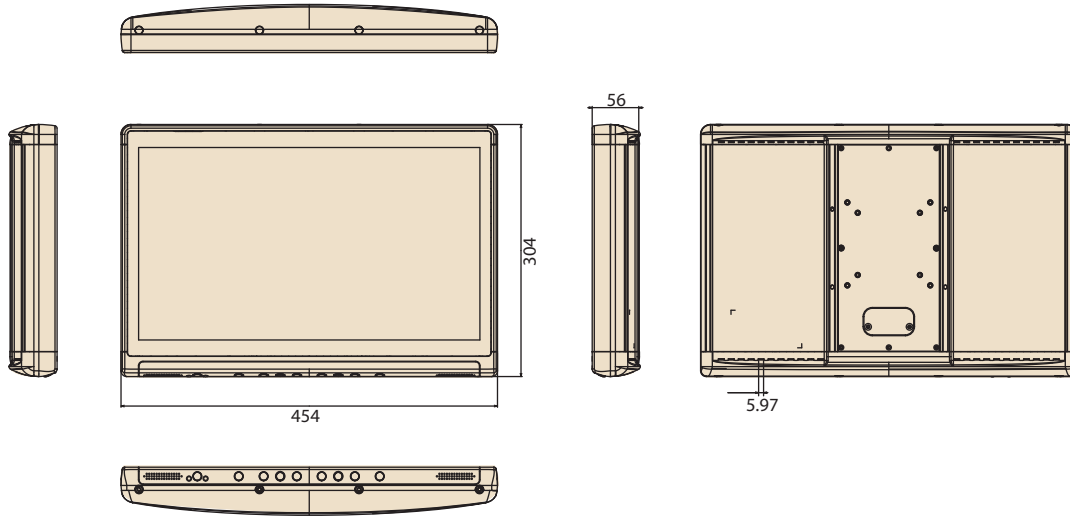
### Specifications

Computing System	Chipset	Intel QM67	
	CPU	Intel® Core™ i7-2610UE Processor (4 M Smart Cache, 1.5 GHz) Intel® Core™ i3-2340UE Processor (3 M Smart Cache, 1.3 GHz) (Optional)	
	Memory	Up to 16GB DDR3 1333 Mhz SDRAM	
Graphics	Controller	Intel HD Graphics 3000	
Expansion Slot	PCI	1 x mini PCIe	
Storage	HDD	1 x 2.5" SATA	
Ethernet	Interface	2 x Gigabit Ethernet (isolated) interfaces (RJ-45)	
I/O Ports		1 x RS-232 (isolated) and 1 x RS232/422/485 (isolated) serial port 4 x USB 2.0 ports 1 x DVI-I VGA port 1 x DC-in Jack	
Speakers		2 x 2W speakers	
Display	Display Type	18.5" HD resolution LCD panel	
	Max. Resolution	1366 x 768 (WXGA)	
	Max. Colors	16.7M colors (RGB 6-bits + Hi-FRC)	
	Dot Size (mm)	0.282 x 0.282	
	Viewing Angle	170°/160°	
	Luminance	300 cd/m <sup>2</sup>	
	Contrast Ratio	1,000 : 1	
LCD MTBF	50,000 hours		
Power Supply	DC Model	Universal AC/DC adapter (Sinpro Model no. HPU101-107)	
	Input Voltage	90 ~ 260 V <sub>AC</sub> , 47 ~ 63 Hz, 1.35 ~ 0.5 A	
	Output Voltage	+18 V <sub>DC</sub> , 5.55 A max. (100 watts)	
Touchscreen	Type	Analog Resistive	Projected Capacitive 4-points (Optional)
	Resolution	Continuous	Continuous
	Light Transmission	80%	90%
	Controller	USB interface	USB interface
	Durability	36 million touches	>100 million touches
Optional Functions	Battery	3S2P 4200mAH, Support up to 3 hours 36min*	
	Smart Card reader	Complies with ISO7816-1,2,3,T=1 and T=0 protocol	
	WLAN	Integrated Wireless 802.11 a/b/g/n connection & internal antenna	
	RFID	13.56 MHz with ISO-15693 & ISO-14443A/B and active tag function	
	Bluetooth	Integrated Bluetooth v2.0 + EDR	
Certifications		CE,FCC Class B approved	
		UL60601-1,EN60601-1 approved	
Environment	Temperature	0 ~ 40° C (32 ~ 104° F) (Operating)	
	Humidity	10 ~ 95% @ 40° C (non-condensing)	
	Shock Resistance	20G peak acceleration (11ms duration)	
	Water/dust Resistance	IPX1 compliant	
Physical Characteristics	Dimensions (W x H x D)	454 x 304 x 56 mm	
	Weight	5.8 kg	
Platform & Utilities		Windows 7, WIN 8 Embedded Standard, Windows 8 industry Pro, Windows 10	

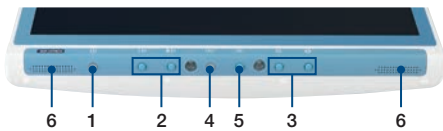
\* Test results by Passmark BatteryMon V2.1 with a minimum of peripherals connected

## Dimensions

Unit: mm



## Function Keys



- (1) Power Button
- (2) Volume Up/Down
- (3) Brightness Up/Down
- (4) Touch on/off
- (5) Read light on/off
- (6) Speaker

## Ordering Information

Part Number	CPU	DRAM	Touch Panel	HDD
POC-W181-A01D-ATE	i7-2610UE 1.5 GHz	4 GB	Resistive T/S	160GB or up
POC-W181-A11D-ATE	i7-2610UE 1.5 GHz	4 GB	Resistive T/S	24 x 7 160GB or Up

\*Go T-part for P-Cap option

## Optional Modules

Part Number	Description
POC-W181-WF0E	Wireless kit (802.11a/b/g/n) for POC-W181
POC-W181-RF0E	RFID kit for POC-W181
POC-W181-BT0E	Bluetooth kit for POC-W181
POC-W181-BTTE	Battery module (4200mAh Li-ion battery) POC-W181
1960055938N001	BKT Vesa Mount Option-2 POC-W181 for AMiS Smart card reader kits *go with T-part by customer request

## I/O Ports



- (1) DC-in Jack
- (2) DVI-I
- (3) GigaBit isolated LAN 2
- (4) GigaBit isolated LAN 1
- (5) COM 1 isolated
- (6) COM 2 isolated
- (7) USB x 4

## Accessories

Part Number	Description
1702002600	Power Cable (USA) 1.8 M
1702002605	Power Cable (Europe) 1.8 M
1700018704	Power Cord (UK) 1.8 M



Cable-free Design Enhances Infection Control