

POC-W212 IP54

21.5" Widescreen Point-of-Care Terminal with Fanless and Slim Design



Features

- Runs on an Intel® Core™ i7 4th generation processor with a fanless, high performance profile
- Ultra-thin display, only 65 mm slim at its widest point
- Capable of displaying crystal clear images on its 21.5" wide-screen display
- Isolated design provides unique electric leakage protection for COM ports and LAN ports
- IP54 Enclosure to protect dust and water splashing for ease of cleaning
- UL60601-1/EN60601-1 third edition certified ensures highest levels of safety and reliability
- Optional Bluetooth, RFID, inner WLAN module, and Li-ion battery pack

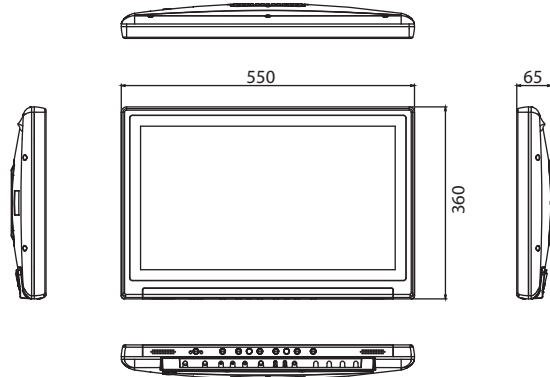


Specifications

Computing System	Chipset	Intel QM87	
	CPU	Intel® Core i7 4650U, 1.7 GHz (up to 3.30 GHz) Processor Intel® Core i5 4300U, 1.9 GHz (up to 2.90 GHz) Processor	
	Memory	Up to 16GB DDR3L 1600/1333MHz SDRAM	
	Graphics Controller	Intel HD Graphics 5000/4400	
	Operating System	Windows 7, WIN8 Embedded Standard, Windows 8 industry Pro, Windows 10	
Display	Display Size	21.5" wide TFT color LCD (16:9)	
	Type	IPS	
	Max. Resolution	1920 x 1080 (H x V)	
	Max. Colors	16.7 M colors (6-bits+A-FRC)	
	Pixel Pitch (um)	247.5 x 247.5	
	Viewing Angle	178/178°	
	Luminance	250 cd/m ²	
	Backlight	LED	
	LCD MTBF	30,000 Hours	
Expansion Slot	Mini PCIe (mSATA)	2 (Mini PCIe: 1 full-size, 1 half-size)	
	PCIe	1 x PCIe (x4)	
I/O Ports	Serial Ports	1 x RS-232 (isolated) and 1 x RS-232/422/485 (isolated) serial port	
	USB 3.0 ports	2 (rear x 2)	
	USB 2.0 Ports	2	
	VGA/DVI Port	1 x VGA port	
	Speakers (1W)	2	
	LAN	2 x Gigabit Ethernet (isolated) interfaces (RJ-45)	
	HDMI	1 x HDMI out	
Storage	HDD	1 x 2.5" SATA	
Power Supply	DC Model	AC/DC adapter (Sinpro Model no.HPU101-107)	
	Input Voltage	90 ~ 260 V _{ac} , 1.35 ~ 0.5 A, 47 ~ 63 Hz	
	Output Voltage	+18 V _{dc} , 5.55 A max. (100 watts)	
Optional Functions	Battery	3S2P 4200mAH, supports 0.5 hr backup operation Adding the battery will prevent the PCIe card from being inserted	
	WLAN	Integrated wireless 802.11 a/b/g/n connection & internal antenna	
	Bluetooth	Integrated Bluetooth v4.0	
Optional Touchscreen	Type	Analog Resistive (Clear & AG)	Projected Capacitive 2-points (AR)
	Resolution	Continuous	Continuous
	Light Transmission	80±3%	90±3%
	Controller	USB interface	USB interface
	Durability	3.5 million touches	Over 50 million touches
IP Rating	Front Panel	IP65	
	Entire System	IP54	
Certifications	UL60601-1/EN60601-1, CE & FCC Class B certified, CCC		
Environment	Temperature	0 ~ 40° C (32 ~ 104° F) (Operating)	
	Humidity	10 ~ 95% @ 40° C (Non-condensing)	
	Shock Resistance	20 G peak acceleration (11 ms duration)	
Physical Characteristics	Dimensions (W x D x H)	550 x 360 x 65 mm (21.65" x 14.17" x 2.56")	
	Weight	6.9 kg (15.2 lb)	

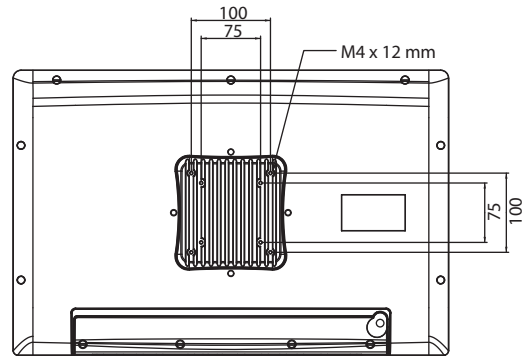
Dimensions

Unit: mm

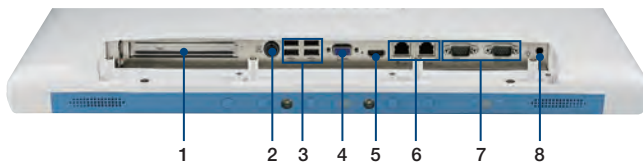


Mounting

Unit: mm

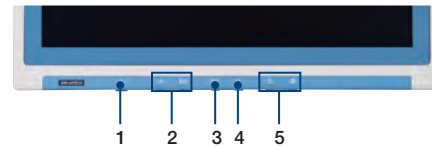


Rear I/O Ports



- (1) PCIe(x4) card slot
- (2) Power DC-IN
- (3) 2 x USB 2.0 ports, 2 x USB 3.0 ports
- (4) VGA port
- (5) HDMI out port
- (6) 2 x Gigabit Ethernet interfaces (RJ-45)
- (7) 1 x RS-232 (isolated) and 1 x RS-232/422/485 (isolated) serial port
- (8) Equipotential Terminal Pin

Function Keys



- (1) Power
- (2) Volume Up/Down
- (3) Touchscreen Status Control
- (4) Read Light Control
- (5) Brightness Increase/Decrease

Cabling with Sealed I/O Ports



Back Side



Water/Dust resistance IP54 for whole system

Ordering Information

Part Number	CPU	DRAM	Touch Panel	HDD
POC-W212-A11D-ACE	i7 4650U 1.7 GHz	4GB	P-CAP	x
POC-W212-B11D-ACE	i5 4300U 1.9 GHz	4GB	P-CAP	x

Accessories

Part Number	Description
PDC-W215-STAND-H3E	PDC-W215 STAND_H3-741L type_6~12kg Black
1702002600	Power Cable (USA) 1.8 M
1702002605	Power Cable (Europe) 1.8 M
1700018704	Power Cord (UK) 1.8 M

Optional Modules

Part Number	Description
POC-W21X-BTTE	Battery module (4200mAh Li-ion battery) for POC-W211 / POC-W212 Intel Core i series
POC-W21X-BTOE	Bluetooth 4.0 module
POC-W212-WFOE	Wireless module (802.11a/b/g/n) for POC-W212