

# PPC-3100S

## 10.4" Fanless Panel PC with Intel® Celeron® N2930 Processor

**NEW**



### Features

- Industrial 10.4" TFT SVGA or XGA LED panel with 30k (min.) lifetime backlight
- Durable 5-wire Resistive Touch or Projected Capacitive Multi-touch screen selectable
- Embedded Intel® processor, quad core Celeron® N2930 1.83GHz onboard
- System memory up to 8 GB DDR3L SDRAM
- Compact Fanless Design with solid AI Alloy enclosure
- True-flat with IP65 certified front panel protection
- E-Eye Monitoring and Protection
- Supports Full-size Mini PCIe Expansion
- Supports USB 3.0
- Supports Windows Embedded and Android
- Supports VESA 75



### Introduction

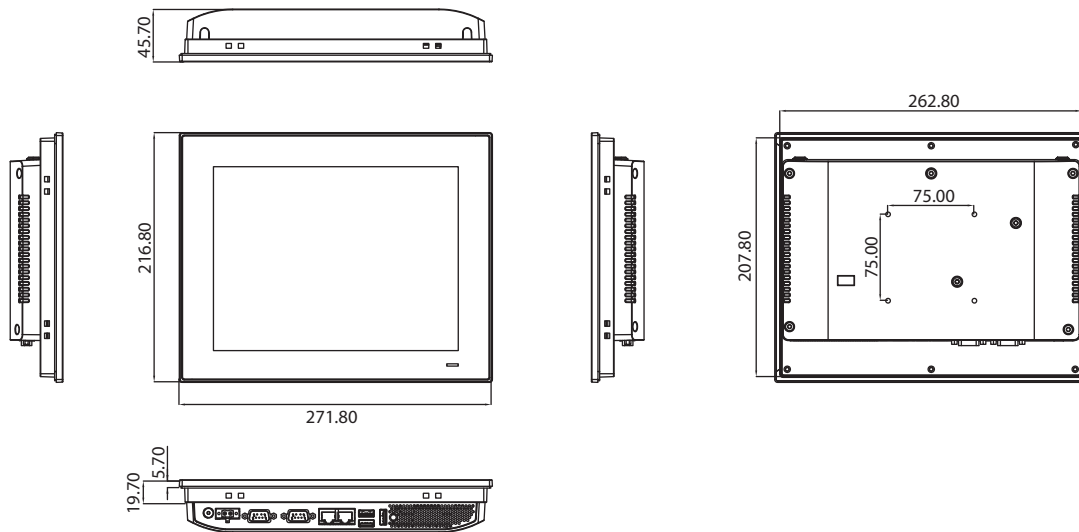
The PPC-3100S is a high value, ultraslim Panel PC with a 10.4" SVGA or XGA LCD; the low power Intel® Celeron® N2930 1.83GHz processor provides high computing performance in a compact, fanless, embedded system. With a high durability design, the PPC-3100S is equipped with a true-flat touch screen with IP65 front panel protection, die-cast AI alloy enclosure, and 5-wire resistive or projected capacitive multi-touch screen. It supports two serial ports, three or two USB ports, and two GbE LANs to satisfy various industrial applications. To provide further system monitoring and protection, the E-Eye in the PPC-3100S rear cover gives a clear indication of system operating status, for detection and analysis.

### Specifications

		PPC-3100S-RAE	PPC-3100S-PBE
<b>Processor System</b>	CPU	Intel® Celeron® N2930, Quad core	
	Frequency	1.83 GHz	
	2nd Cache	2 MB	
	Memory	1 x SO-DIMM, DDR3L 1333, Max 8 GB	
	Storage	1 x 2.5" SATA Bay (Optional, need ordering bracket module for installation) 1 x mSATA Bay (default)	
	Network (LAN)	2 x 10/100/1000 Mbps Ethernet (Intel 211)	
	I/O ports	2 x Serial ports: 1 x RS-232, 1x RS-232/422/485 (Adjustable through BIOS) 2 x USB 2.0, 1 x USB 3.0 (for PPC-3100S-RAE) 1 x USB 2.0, 1 x USB 3.0 (for PPC-3100S-PBE)	
	Expansion	1 x Full size Mini PCIe slot	
	Watchdog Timer	255 timer levels, set up by software	
<b>Physical Characteristics</b>	Dimensions	272 x 217 x 46 mm (10.7" x 8.5" x 1.8")	
	Weight	1.9 Kg (4.18 lb)	
<b>OS Support</b>	OS Support	Microsoft® Windows 7 32bit&64bit/Windows 8.1 32bit&64bit/Windows 10 32bit&64bit/WES7/WEC 7/Linux/Android 4.4	
<b>Power Consumption</b>	Input Voltage	12- 24 Vdc	
	Power Consumption	16W (Burn-in test 7.0 in Windows 7 32 bit)	
<b>LCD Display</b>	Display Type	10.4" TFT LCD (LED backlight)	10.4" TFT LCD (LED backlight)
	Resolution	800 x 600	1024 x 768
	Viewing Angle	80 (left), 80 (right), 70 (up), 70 (down)	88 (left), 88 (right), 88 (up), 88 (down)
	Luminance (cd/m <sup>2</sup> )	400	350
	Contrast Ratio	700	1200
	Backlight Lifetime	30,000 hrs (Min.)	30,000 hrs (Min.)
<b>Touchscreen</b>	Touch Type	Elo Resistive 5 wire	Projected Capacitive Multi-touch 5 point
	Light Transmission	80±5% at 550nm wavelength	88±2%
	Controller	RS232 interface	USB interface
	Durability/Surface Hardness	Greater than 35million touches in one location without failure	Cover glass > 7H
<b>Environment</b>	Operating Temperature	0 ~ 50°C (32 ~ 122°F) with SSD 0 ~ 40°C (32 ~ 104°F) with HDD	
	Storage Temperature	-40 ~ 60°C (-40 ~ 140°F)	
	Relative Humidity	10 ~ 95% @ 40°C (non-condensing)	
	Shock	Operating 10 G peak acceleration (11 ms duration), follow IEC 60068-2-27	
	Vibration	Operating Random Vibration Test 5 ~ 500Hz, 1Grms @with HDD; 2Grms @with SSD, follow IEC 60068-2-64	
	EMC	CE, FCC Class B, BSMI	
	Safety	CB, CCC, BSMI, UL	
	Front Panel Protection	IP65 compliant	

## Dimensions

Unit: mm

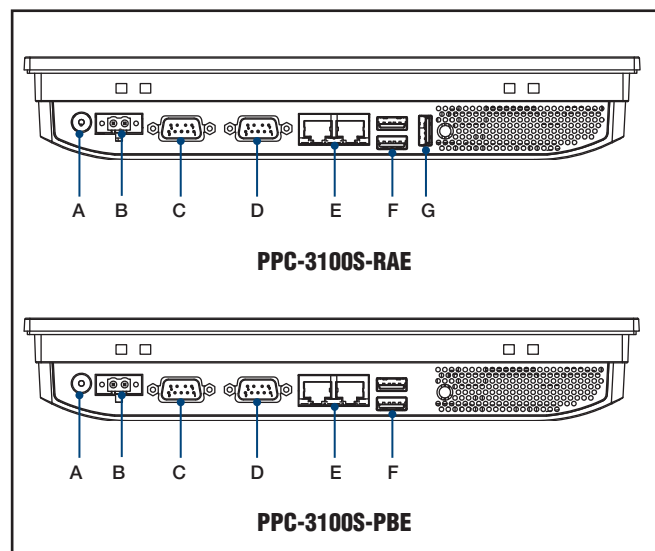


Cut-out dimensions: 265 x 210 mm

## Ordering Information

Part No.	Description
PPC-3100S-RAE	Intel Celeron N2930 Fanless Panel PC with 10.4" SVGA LED backlight, Resistive 5 wire touch screen
PPC-3100S-PBE	Intel Celeron N2930 Fanless Panel PC with 10.4" XGA LED backlight, Projected Capacitive Multi-touch screen
PPC-3100S-HDDE	Bracket module for 2.5" SSD/HDD installation
96PSA-A90W190T-1	ADP A/D 100-240V 90W 19V W/PFC
PPC-WLAN-B1E	Wi-Fi Module with Antenna Cable 40cm for PPC
PPC-ARM-A03	ARM VESA Standard (A-CLEVER) for PPC series
PPC-174T-WL-MTE	Wall mount kit for PPC series
PPC-Stand-A1E	Stand for PPC series
98R3612000E	mSATA/CFast to USB card reader
98R3415010E	Front USB on cabinet module with Cable 100cm
1700001524	Power cord 3P UL 10A 125V 1.8M
170203183C	Power cord 3P Europe (WS-010+083) 183cm
1700008921	Power cord 3P/3P 1.8M PSE
96CB-POWER-B-1.8M	Power code 3P CCC(China) 1.8M
2070014331	Image WEC7 PPC-3100S-RAE Eng V4.00
2070014419	Image WS7P 64-bit PPC-3100S-RAE Multi V4.14
2070014474	Image Android 4.4 for PPC-3100S-RAE V1.00
2070014862	Image Win10 ENT LTSB 64-bit PPC-3060S/3100S/3120S Multi V6.01

## I/O Appearance



- A. Power Switch
- B. DC-In
- C. RS-232
- D. RS-232/422/485
- E. 2 x RJ45 LAN
- F. 1 x USB 2.0, 1 x USB 3.0
- G. USB 2.0