

TREK-306DH

10" In-Vehicle Smart Display



Features

- Vehicle-grade 10" (4:3) XGA TFT LCD with rugged resistive type touchscreen
- Five user-programmable function keys
- Two 2-watt speakers
- Built-in light sensor for automatic dimming
- Easily installed and paired with TREK computing box via a single-cable connection
- Extended I/O ports (USB 2.0 Type A, power button and reset button) for easy TREK computing box maintenance
- Wide working temperature range (-30° C ~ 70° C)

Introduction

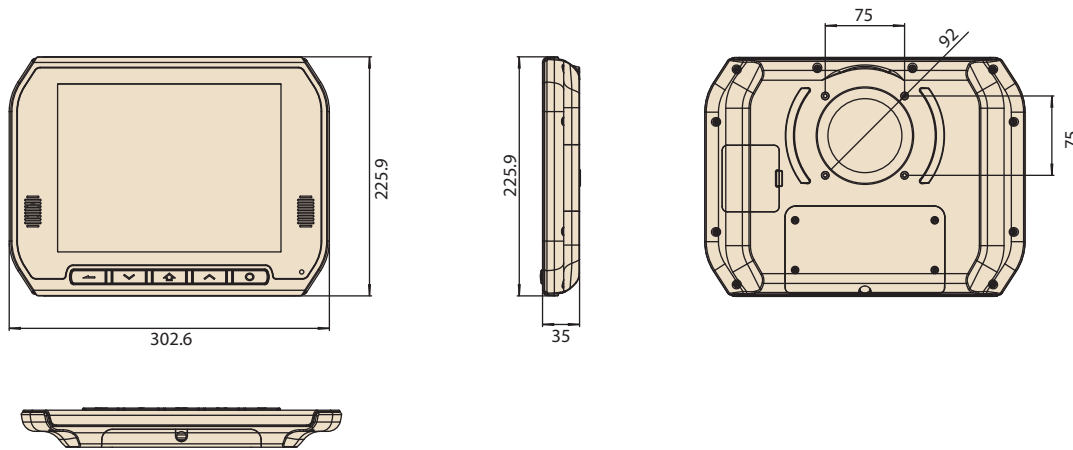
The TREK-306DH is a vehicle display system for Mobile Resource Management (MRM) applications in trucks and buses. The TREK-306DH touch panel is ideal for fleet management and dispatch applications. It also meets requirements for automotive grade working temperatures (-30° C ~ 70° C). TREK-306DH provides excellent display capabilities, featuring lightweight housing, it's compatible with RAM mounting solutions that customers can easily install. TREK-306DH supports resolutions of 1024 x 768; it is compatible with TREK box solutions connecting via a single cable. TREK-306DH is designed with drivers in mind: when the system requires powering up or waking up, it can be easily controlled from the button located on the side; and for night driving, the panel has an auto detecting light sensor to automatically adjust brightness.

Specifications

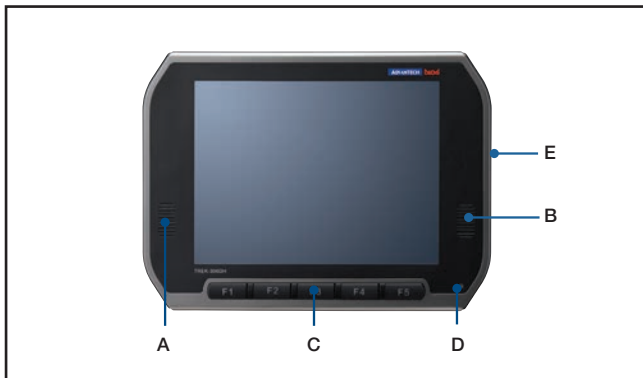
LCD	Design Compatible Models	Paired with TREK computing box (i.e. TREK-5xx/6xx, TREK-520 by project-based)
	Resolution (pixel)	XGA (1024 x 768)
	Video Interface	Single channel, 18 bit LVDS
	Pixel Pitch	0.2055 (H) x 0.2055 (V)
	Brightness (cd/m ²)	400 (typical)
	View Angle ((H/V))	178°/178°
	Contrast Ratio	1400
	Backlight Type	LED
Backlight Life (Hrs)	50K	
Touchscreen	Size	10.4" (4:3) format
	Type	5-wire Resistive
	Transparency	80% ± 3%
	Hardness	3H
	Durability	Knock test > 35,000,000 times (Stylus= R0.8, <=50g)
IK Shock-Protection Rate	IK-06 (Resistance against impacts with an energy up to 1,00 J)	
Front Panel	Speaker	2 x 2-watt speaker
	Hotkeys	5 x User-programmable Function key with green LED
	Brightness Control	1 x Built-in light sensor for auto-dimming implementation
Rear I/O	Smart Display Port	1 x 36-pin locking type high density connector to be paired with TREK-5xx/6xx
Right Side I/O	USB Port	1 x USB 2.0 Host Type A (Data access from/to TREK computing box)
	Power button	1 x Power button (To power on/off TREK computing box)
	Reset button	1 x Reset button (To Reset TREK computing box)
Power	DC Input	12 V ± 5% (Powered by TREK computing box directly)
	Power Consumption	8W (Nominal), 14W (Max.)
Mechanical	Mounting	VESA (75 x 75 mm), RAM Mount
	Material	PC
	Weight	1.7 kg
	Dimensions (W x H x D)	303 x 226 x 35 mm
Environment	Operating Temperature	-30° C ~ 70° C
	Storage Temperature	-40° C ~ 80° C
	Vibration	MIL-STD-810G, SAE J1455 4.9.4.2
	Certifications	CE, FCC
	IP Rating	IP55 (with I/O Cover)

Dimensions

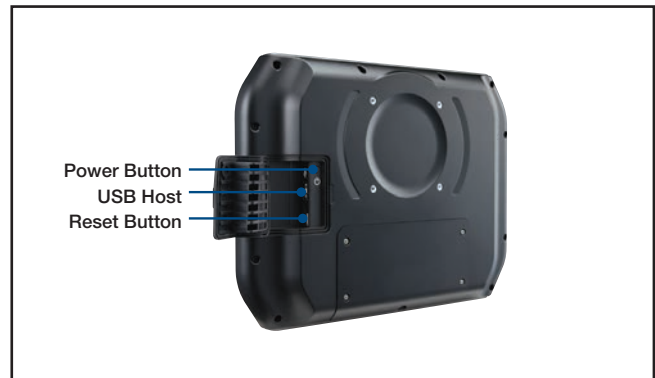
Unit: mm



I/O Connectors



- A. B. Speaker
- C. User-defined hotkeys
- D. Light sensor
- E. Reset, power, USB host (side)



Ordering Information

Part Number	Description
TREK-306D-HA0E	10.4" XVGA in-vehicle Smart Display, with 5-wire Resistive Touchscreen

Optional Items

Part Number	Description
RAM-MOUNT-06E	VESA RAM mount w/VESA base(3.625") & 5.625" double socket arm for 1.5" ball base
RAM-MOUNT-07E	5.625" double socket arm for 1.5" ball base
1700020007	2-meter smart display cable (Paired with TREK-5xx/6xx)
1700020008	5-meter smart display cable (Paired with TREK-5xx/6xx)