



New HM55 Platform Features:

- Powered by high performance 2.66 GHz Intel® Core i7-620M CPU with Intel® HM55 chipset
- DDR3 800/1066MHz system memory up to 8GB
- HDMI port delivers high image quality on the second display
- IEI One Key Recovery solution allows you to create rapid OS backup and recovery (over 4GB storage capacity is suggested)



Specifications

| Model | AFL-17i-HM55 |
|---------------------------------|---|
| LCD Size | 17" |
| Max Resolution | 1280 x 1024 |
| Brightness (cd/m ²) | 350 |
| Contrast Ratio | 800 : 1 |
| LCD Color | 16.7M |
| Pixel Pitch (mm) | 0.264 (H) x 0.264 (V) |
| Viewing Angle (H-V) | 170° / 160° |
| Backlight MTBF | 50000 hrs |
| SBC Model | AFLMB2-HM55-R10 |
| CPU | Intel® Core™ i7/i5/i3/Celeron® Processor |
| Chipset | Intel® HM55 |
| RAM | Two 204-pin 800/1066MHz DDR3 dual-channel SO-DIMMs supported (Max. 8GB) |
| I/O Ports | 1 x RS-232 COM Port 1 x RS-232/422/485 COM Port 2 x RJ-45 for Giga LAN 4 x USB 2.0 1 x Power Switch 1 x Reset Button 1 x Audio Port (Line-Out) 1 x VGA 1 x Power Jack 1 x HDMI Port |
| Storage | 1 x 2.5" SATA HDD bay |
| Watchdog Timer | Software programmable supports 1~255 sec. system reset |
| Audio | AMP 3W + 3W (internal speakers) |
| Wireless Connection | 1 x Wireless LAN 802.11b/g/n Module (internal PCIe Mini card interface) |
| Construction Front Panel | ABS + PC Plastic front frame |
| Membrane Keypad | LCD On/Off, Brightness Up/Down, Volume Up/Down (5 keys) |
| LED Function | 1 x Power on/off LED on front panel |
| Mounting | Panel, Wall, Rack, Stand and Arm VESA 100mm x 100mm |
| Front Panel Color | Sliver (877U) & Gray (ABSA2037) |
| Dimensions (WxHxD) (mm) | 428 x 350 x 71 |
| Operation Temperature (°C) | 0°C ~ 50°C |
| Storage Temperature (°C) | -20°C ~ 60°C |
| N/G Weight | 6.0 Kg |
| IP Level | IP 64 compliant front panel |
| Touch Screen | 5-wire resistive type (touch controller IC is on board) |
| Power Adapter | P/N: 63040-010096-100-RS 96W Power Adapter (Meet PSE) Input: 90VAC~264VAC, 50/60Hz Output: 12VDC |
| Power Requirement | 12VDC |
| Power Consumption | 85W |

Ordering Information

| Part Number | Description |
|----------------------------|---|
| AFL-17i-HM55-P45/R/1G-R20 | 17" 350cd/m ² SXGA panel PC with Intel® Celeron® P4500 1.86G CPU, 1GB DDR3 RAM, 802.11b/g/n wireless module, touch screen, R20 |
| AFL-17i-HM55i3-35/R/2G-R20 | 17" 350cd/m ² SXGA panel PC with Intel® Core™ i3-350M 2.26G CPU, 2GB DDR3 RAM, 802.11b/g/n wireless module, touch screen, R20 |
| AFL-17i-HM55i5-52/R/2G-R20 | 17" 350cd/m ² SXGA panel PC with Intel® Core™ i5-520M 2.4G CPU, 2GB DDR3 RAM, 802.11b/g/n wireless module, touch screen, R20 |
| AFL-17i-HM55i7-62/R/2G-R20 | 17" 350cd/m ² SXGA panel PC with Intel® Core™ i7-620M 2.66G CPU, 2GB DDR3 RAM, 802.11b/g/n wireless module, touch screen, R20 |

ISMM Supported Functions

| | Voltage | Fan | Smart Fan | Temperature | WDT |
|--------------|---------|-----|-----------|-------------|-----|
| AFL-17i-HM55 | V | V | V | V | V |

Packing List

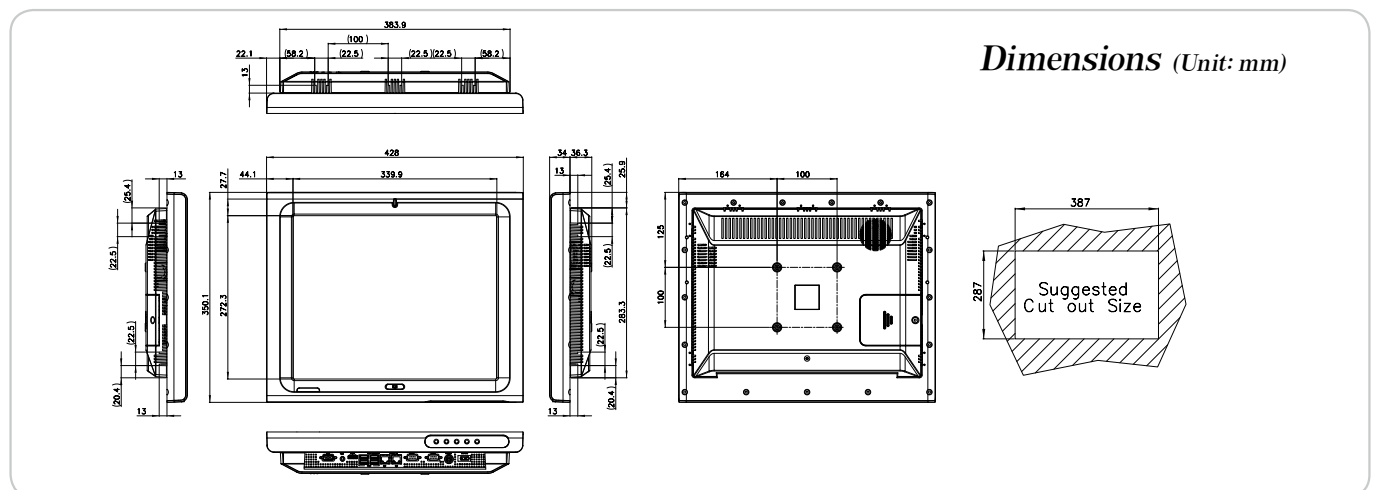
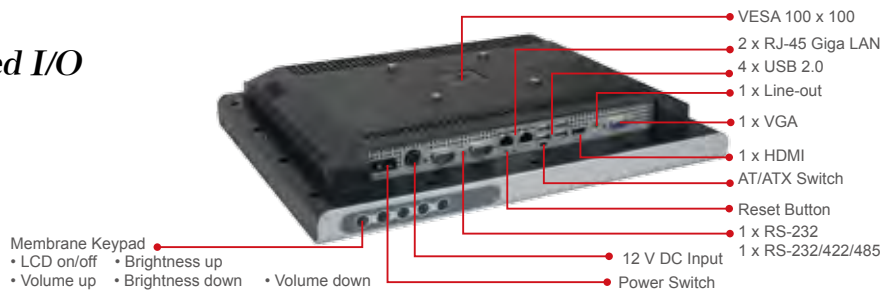
| Item | Part Number | Q'ty | Specification |
|---------------------|---------------------|------|------------------------------------|
| Screw Pack | 44013-030041-RS | 4 | M3; 5mm |
| Power Adpater | 63040-010096-100-RS | 1 | 90~264V AC; 12V DC; 96W (Meet PSE) |
| Power Cord | 32000-000002-RS | 1 | 1750mm; European Standard |
| Utility CD | 7B000-000087-RS | 1 | |
| Touch Pen | 43125-0002C0-00-RS | 1 | |
| One Key Recovery CD | | 1 | |

Options

| Model | AFL-17i-HM55 |
|------------------------|--|
| Panel Mounting Kit | AFLPK-17B |
| Wall Mounting Kit | AFLWK-19B |
| Rack Mounting Kit | AFLRK-17i-R10 |
| Arm | ARM-11-RS / ARM-31-RS |
| Stand | STAND-A19-RS / STAND-A21-R10 / STAND-210-R11 |
| OS: Win XPE | AFLSD-15-HM55-2G-XPE-R21 (without storage) |
| OS: Win 7 Embedded | AFLSD-15-HM55-4G-WES7E-R21 (without storage) |
| Magnetic Stripe Reader | AFLP-17BMSR-U |
| DC 12V Input UPS | AUPS-B10-R10 (VESA 100, DC 12V input, 12V output 100W UPS module with 3800mAH) |
| DC 9~36V Input UPS | AUPS-B20-R10 (VESA 100, DC 9~36V input, 12V output 100W UPS module with 3800mAH) |

Note: Win CE application without digital microphone function

Fully Integrated I/O



Dimensions (Unit: mm)