

AFL3-W07A-BT

Intel® Celeron® N2807 (Dual Core, 1.58 GHz)

AFL3-08A-BT

Intel® Celeron® J1900 (Quad Core, 2.0 GHz)



Features

- W7"~8.4" light industrial interactive panel PC
- 9 V ~ 30 V wide range DC input with lockable DC jack
- Selectable AT/ATX power mode
- Built-in speakers
- One mSATA slot
- IP64/IP65 compliant front panel
- IEI One Key Recovery solution allows you to create rapid OS backup and recovery (suggested with over 4GB storage capacity)



Specifications

| Model | | AFL3-W07A-BT | AFL3-08A-BT |
|-----------------------|--|---|---|
| LCD | Size | 7" | 8.4" |
| | Resolution | 1024 x 600 (16:9) | 800 x 600 (4:3) |
| | Brightness (cd/m ²) | 500 | 450 |
| | Contrast Ratio | 700:1 | 600:1 |
| | LCD Color | 16.2M | 16.2M |
| | Pixel Pitch (mm) | 0.0635 (H) x 0.1905 (V) | 0.213 (H) x 0.213 (V) |
| | Viewing Angle (H-V) | 150° / 145° | 160° / 140° |
| | Backlight MTBF(hrs) | 20000 hrs | 50000 hrs |
| Touch | Touch Screen | Projected capacitive type | Resistive Touch Window/Projected capacitive type |
| | Touch Controller | EETI EXC3160 | PenMount DMC 9000/EETI EXC3146 |
| Motherboard | CPU | Intel® Celeron® N2807 (dual core, 1.58 GHz) | Intel® Celeron® J1900 (quad core, 2.0 GHz) |
| | RAM | 2GB DDR3L onboard RAM/ 4GB DDR3L onboard RAM | One 204-pin 2 GB 1333MHz single-channel, 2GB DDR3L SDRAM pre-installed (system max. 8GB) |
| | Ethernet | 2 x PCIe GbE by RTL8111E controller | 2 x PCIe GbE by RTL8111E controller |
| | Audio Codec | ALC892 | ALC892 |
| Storage | mSATA | | |
| I/O Ports & Switch | 2 x RS-232 COM port (DB-9 connector) 2 x USB 3.0 2 x GbE LAN 1 x Power switch 1 x Reset button 1 x AT/ATX switch 1 x 9-30V Lockable power jack | | 1 x RS-232 COM port (RJ-45 connector) 1 x RS-232/422/485 COM port (DB-9 connector) (R1/5V/12V) 2 x USB 3.0 2 x RJ-45 for GbE LAN 1 x Power switch 1 x Audio port (line-out) 1 x Reset button 1 x AT/ATX switch 1 x 9-30V DC Lockable power jack |
| | Audio | AMP 2W (internal speaker, left channel output) | AMP 2W + 2W (internal speaker) |
| Camera and Microphone | N/A | | 2-megapixel with low light function, digital microphone |
| Wireless & Bluetooth | IEEE 802.11 a/b/g/n/ac, Bluetooth V4.0 (PCIe mini slot) | | IEEE 802.11 a/b/g/n/ac (PCIe mini slot) |
| OSD Function | Software OSD | | |
| Physical | Front Panel Construction | PC + ABS Plastic | |
| | Mounting | Panel, Wall, Stand, Arm, Rack VESA 75mm x 75mm | |
| | Color | Black C | |
| | Dimensions (WxHxD) (mm) | 191 x 127 x 43 | 233 x 175 x 50 |
| | Cut-out Dimensions (WxH) (mm) | 182 x 111 | 207 x 143 |
| | Net/Gross Weight (kgs) | 0.73/1.81 | 0.8/2.44 |
| Environment | Operating Temperature (°C) (Ambient with air flow) | -20°C~50°C | -15°C~55°C |
| | Storage Temperature (°C) | -20°C~60°C | -20°C~65°C |
| | Humidity | 10% to 95% (non-condensing) | |
| | IP Level | IP 65 compliant front panel | IP 64 compliant front panel |
| | Safety&EMC | CE / FCC | |
| Power | Thermal Solution | Fanless | |
| | Power Requirement | 9 V ~ 30 V | |
| | Power Consumption | 12V@2.08 (Intel® N2807 CPU with 2GB 1333 MHz DDR3L memory) | 12V@2A (Intel® J1900 CPU with 2GB 1333 MHz DDR3L memory) |

Ordering Information

| Part No. | Description |
|------------------------------|--|
| AFL3-W07A-BT-N1/PC/2G-R12 | 7" 500 cd/m ² 1024 x 600 HD fanless panel PC with Intel® Celeron® N2807 dual core 1.58 GHz, 802.11a/b/g/n/ac, projected capacitive touch screen, on-board 2GB DDR3L RAM, R12 |
| AFL3-W07A-BT-N1/PC/4G-R12 | 7" 500 cd/m ² 1024 x 600 HD fanless panel PC with Intel® Celeron® N2807 dual core 1.58 GHz, 802.11a/b/g/n/ac, projected capacitive touch screen, on-board 4GB DDR3L RAM, R12 |
| AFL3-W07A-BT-N1/PC/2G/MF-R12 | 7" 500 cd/m ² 1024 x 600 HD fanless panel PC with Intel® Celeron® N2807 dual core 1.58 GHz, 802.11a/b/g/n/ac, projected capacitive touch screen, on-board 2GB DDR3L RAM, Mifare RFID, R12 |
| AFL3-08A-BT-J1/PC/2G-R10 | 8.4" 450cd/m ² SVGA fanless panel PC with Intel® Celeron® J1900 quad core 2 GHz, 802.11a/b/g/n/ac wireless module, projected capacitive touch screen, 2GB DDR3L RAM, R10 |
| AFL3-08A-BT-J1/R/2G-R10 | 8.4" 450cd/m ² SVGA fanless panel PC with Intel® Celeron® J1900 quad core 2 GHz, 802.11 a/b/g/n/ac wireless module, resistive touch window, 2GB DDR3L RAM, R10 |

Options

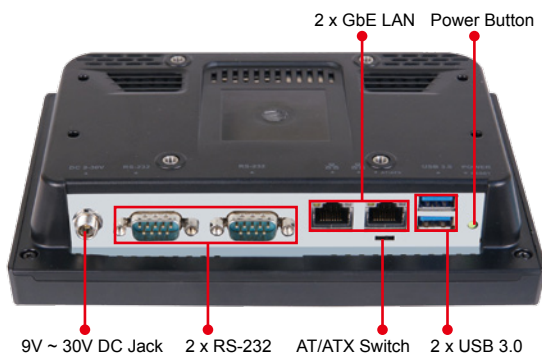
| Item | AFL3-W07A-BT | AFL3-08A-BT |
|-------------------------------------|---|---|
| Panel Mounting Kit | AFL3PK-W07A-R11 | AFL3PK-08A-R10 |
| Wall Mounting Kit | AFLWK-12 | AFLWK-12 |
| Rack Mounting Kit | AFL3RK-W07A-R11 | AFL3RK-08A-R10 |
| Arm | ARM-11-RS/ARM-31-RS | ARM-11-RS/ARM-31-RS |
| Stand | STAND-B08/STAND-100-RS | STAND-B08/STAND-100-RS |
| V-Stand | VSTAND-A07-R11 | VSTAND-A10-R11 |
| Magnetic Card Reader | AFL3P-W7MSR-U-R10 | AFL3P-W10MSR-U-R10 |
| Barcode Scanner | N/A | AFL3-2D-R10 |
| RFID Reader (13.56 MHz Mifare Type) | AFL3-W07A-BT-N1/PC/2G/MF-R12 | N/A (Customized by project base) |
| *OS: Win 7 Embedded (64-bit) | AFL3-W07A-BT-WES7P64-R11 (for PCAP touch) | AFL3-W07A-BT-WES7P64-R11 (for PCAP touch) AFL3-W07A-BT-WES7E64-R11 (for Resistive touch) |
| *OS: Win 8 Embedded (64-bit) | AFL3-W07A-BT-WE8S64-R10 | |
| *OS: Win 10 IOT Enterprise (64-bit) | AFL3-W07A-BT-W10E64-R10 | |

*OS image with CD-ROM without storage

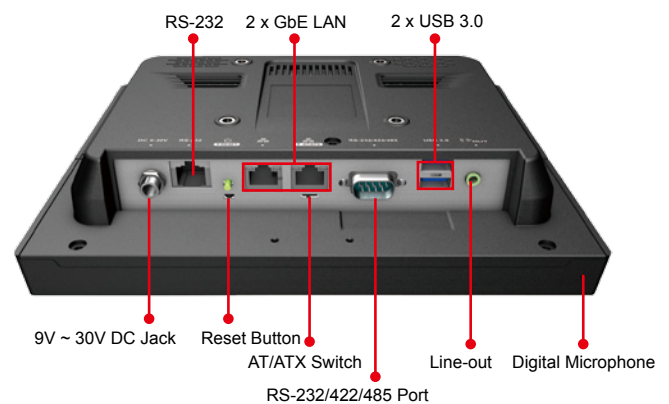
Packing List

| Item | Part No. | Q'ty | Description |
|--------------------------|---------------------|------|--|
| One Key Recovery DVD | 7B000-001083-RS | 1 | |
| Setting kit | 46003-002600-RS | 2 | |
| Round head machine screw | 44003-020041-RS | 2 | M2*4 round head machine screw |
| | 44003-020041-RS | 4 | M2*4 round head machine screw |
| Pan head machine screw | 44403-040061-RS | 4 | M4*6 pan head machine screw |
| | 46003-009500-RS | 2 | |
| Power cord | 32702-000400-200-RS | 1 | |
| | 32702-000200-100-RS | 1 | |
| Power adapter | 63040-010036-121-RS | 1 | 36W; Vin: 90V~264V AC; Vout: 12VDC; Φ2.5/Φ5.5/lock |
| Driver CD | | 1 | |
| Touch pen | 43125-0002C0-00-RS | 1 | Resistive touch screen only |

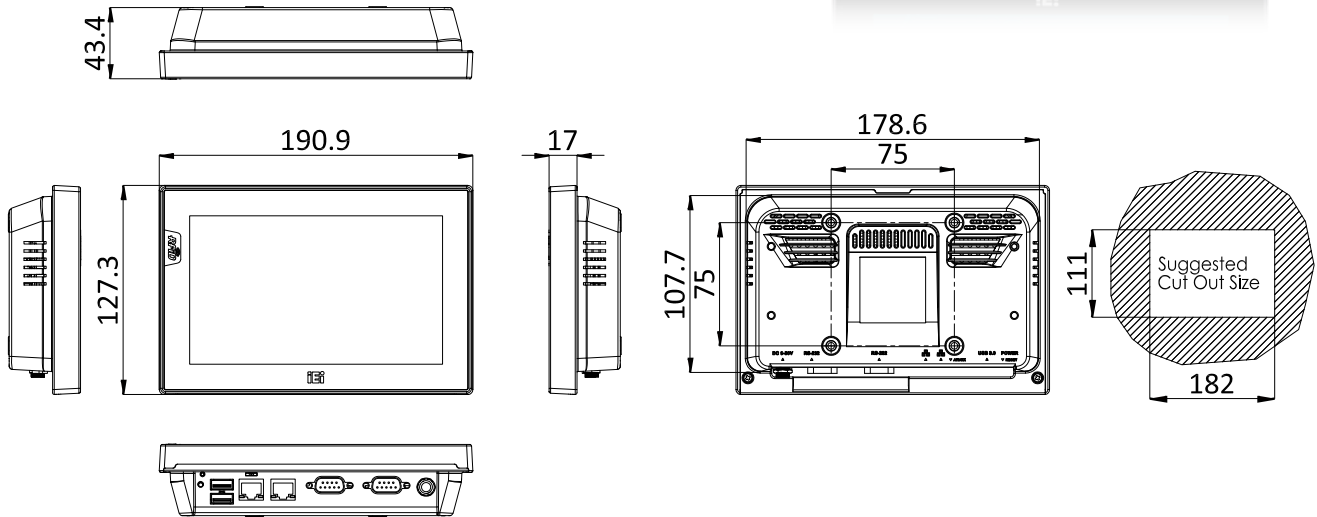
AFL3-W07A Fully Integrated I/O



AFL3-08A Fully Integrated I/O



AFL3-W07A-BT
Dimensions (Unit: mm)



AFL3-08A-BT
Dimensions (Unit: mm)

