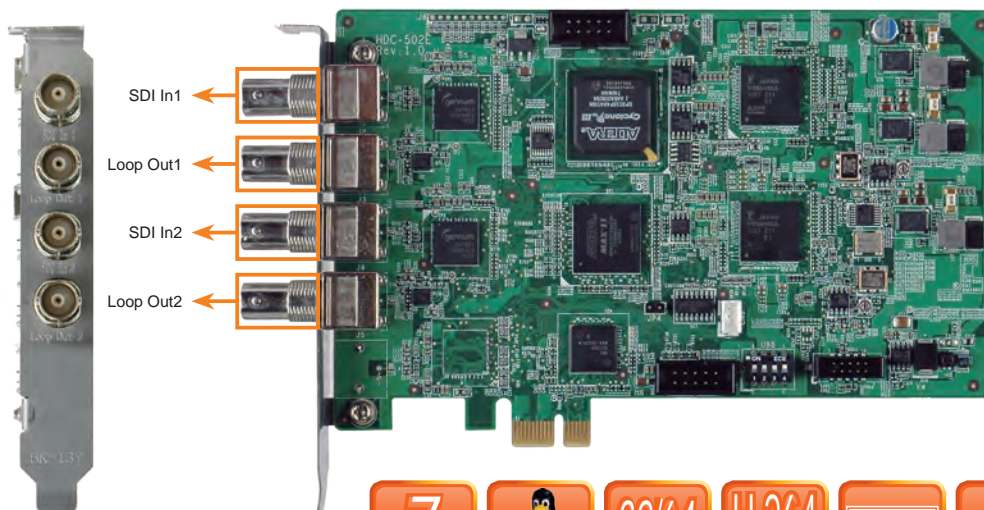


HDC-502E

PCIe Video/Audio Capture Card with Two Channel 3G-SDI Inputs, Two Channel 3G-SDI Loop Output, 1920x1080@60p and H.264 Hardware Encoder



Features

- 2-channel 3G-SDI input with H.264 hardware compression and 2-channel 3G-SDI output
- High quality video encoding up to 1080p60
- Low Power Consumption
- SDK available for customer to create customized applications
- Applications: professional studio, broadcast and transportation video applications
- Windows/Linux OS supported

Specifications

◆ Interface

Video Input	2 channels
Video Input Type	3G-SDI
Audio Input	2 channels
Audio Input Type	3G-SDI
Loop Through Output	2 channels
Loop Through Type	3G-SDI
Bus Interface	PCIe x1

◆ Video Processing

Video Compression	H.264/AVC High Profile Level 4.2	
Input Resolution & Frame Rate	1920 x 1080 x 60p / 50p / 30p / 25p / 24p	720 x 480 x 60i
	1920 x 1080 x 60i / 50i	720 x 576 x 50i
	1280 x 720 x 60p / 50p / 30p / 25p / 24p	
Record Resolution / Frame Rate / Bit Rate	1920 x 1080 x 60p, encoding video -bit rate from 6Mbps to 20Mbps	
	1280 x 720 x 60p, encoding video -bit rate from 4Mbps to 20Mbps	

◆ Audio Processing

Audio Compression	MPEG-1 Audio Layer 2
Bit Rate	256k

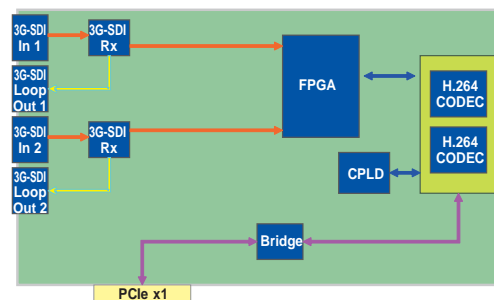
◆ Functionality

Multiple Card Support	4 cards, 8 channels
-----------------------	---------------------

Packing List

1 x HDC-502E capture card
1 x Utility CD
1 x QIG

System Block



◆ System Requirement

System	x86 PC compatible computer, Intel® Pentium® 4 2.0GHz or above for video record Recommends using a DXVA or CUDA capable graphics card for real-time video playback
Memory	1GB or more

◆ Software Support

OS Support	Microsoft Windows7 32/64-bit Linux: Ubuntu 16.04 (64-bit) (Kernel version: 4.4.0-21X64-generic)
SDK	Windows: Provides SDK and demo program with sample source code Linux: Provides SDK and demo program with sample source code

◆ Others

Dimensions (WxH) (mm)	188 mm x 125 mm
Operating Temperature	0°C ~ 60°C (32°F ~ 140°F), non-condensing
Power Consumption	14.2W (12V@0.76A, 3.3V@1.52A)

Ordering Information

Part No.	Description
HDC-502E-R10	PCI Express video/audio capture card with two channel 3G-SDI inputs, two channel 3G-SDI loop outputs, 1920x1080@60p, and H.264 hardware encoder