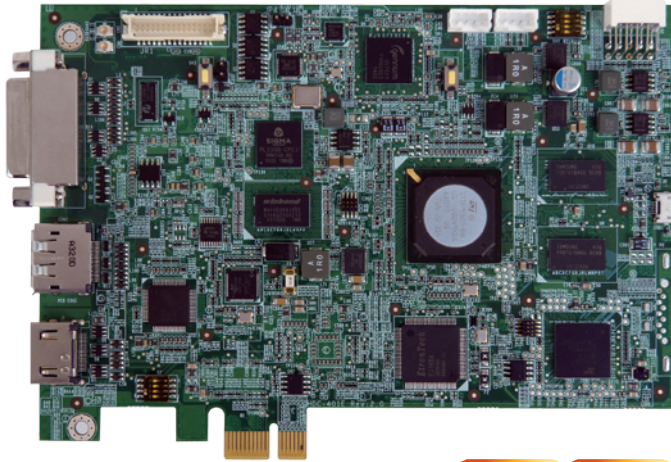


HDC-701EL

PCI Express video/audio capture card with one HDMI/DP/DVI/YPbPr/SDI input channel and one HDMI output channel, 1920x1080@30p, and H.264 hardware codec

New



Features

- Compatible with Microsoft Windows 7 / 8.1 32 bit & 64bit and ubuntu 64 bit
- Equipped with one input port of HDMI/DP/DVI/YPbPr/SDI
- Encode up to 1080p30 HD video
- Equipped with video scaler for PIP, OSD, cropping (optional)
- Supports directshow

Specifications

◆ Interface

Input	Video input channel	1 channel
	Video input type	HDMI/DP/DVI/YPbPr/SDI
	Audio input channel	1 channel
	Audio input type	HDMI (stereo video)
No Delay HDMI Passthrough	Video output channel	1 channel (1080p 60)
	Video output type	HDMI
	Audio output channel	1 channel
	Audio output type	HDMI (stereo)

◆ PC Interface

Type	PCIe x1
------	---------

◆ Video Processing

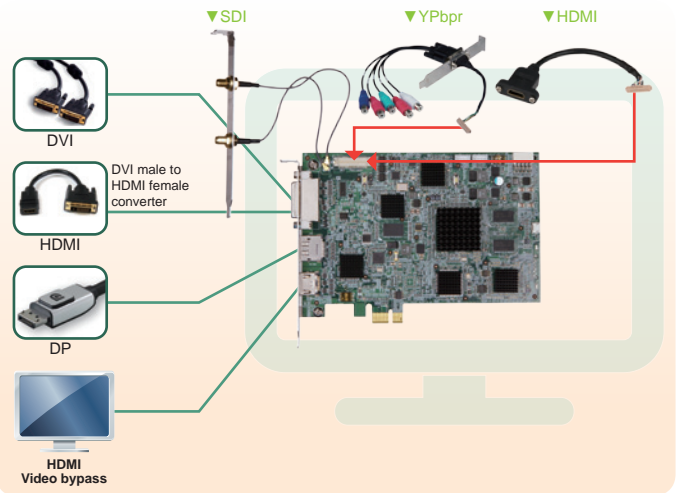
Hardware Encoder	H.264/AVC High Profile Level 4.1	
Recording Datarate	Up to 30Mbps	
Video Input Resolution	1920 x 1080 24p/25p/30p/50p/60p	1280 x 1024 30p
	1920 x 1080 60i/59.94i/50i	1280 x 768 60p
	1280 x 800 60p	1024 x 768 60p
	1280 x 720 50p/60p	720 x 576 50p
	800 x 600 60p	640 x 480 60p
	720 x 480 60p	
Recording Formats	1920 x 1080 24p/25p/30p	1280 x 1024 30p
	1280 x 800 60p	1280 x 768 60p
	1280 x 720 50p/60p	1024 x 768 60p
	800 x 600 60p	720 x 576 50p
	720 x 480 60p	640 x 480 60p

◆ Audio Processing

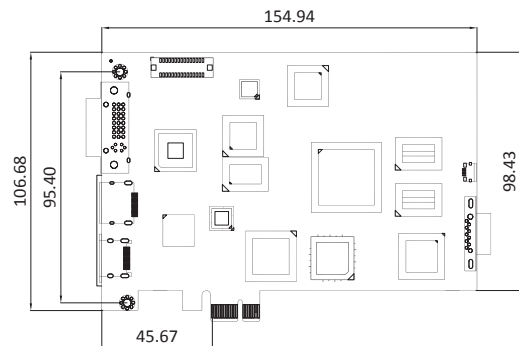
Audio Sampling Frequencies	44.1k, 48k Hz
Audio Compression	MPEG4-AAC
Recording Datarate	128kbps

H.264 Hardware Codec

Video Recording/Streaming



Dimensions (Unit: mm)



◆ System Requirement

System	Intel® Core™2 Duo 2.4GHz or above
Memory	2GB or more
OS Environment	Microsoft Windows 7 32-bit/64-bit Microsoft Windows 8.1 32-bit/64-bit Microsoft DirectX 10.0 or above Linux: Ubuntu 14.041 (Kernel verion: 3.13)

◆ Software Support

Device Driver	Microsoft Windows 7 32-bit/64-bit Microsoft Windows 8.1 32-bit/64-bit Linux: Ubuntu 14.041 (Kernel verion: 3.13)
SDK	Provide SDK and demo program

◆ Functionality

Multiple Card Support	8 channels
Scaling	Video scaling support, OSD, PIP

◆ Others

Dimensions	155 mm x 111 mm
Operating Temperature	0°C ~ 60°C (32° ~ 140°F), non-condensing
Power Consumption	15W

Packing List

1 x HDC-701EL	1 x QIG
2 x Cable	1 x Utility CD

Ordering Information

Part No.	Description
HDC-701EL-R10	PCI Express video/audio capture card with one HDMI/DP/DVI/YPbPr/SDI input and one HDMI output, 1920x1080@30p, and H.264 hardware codec