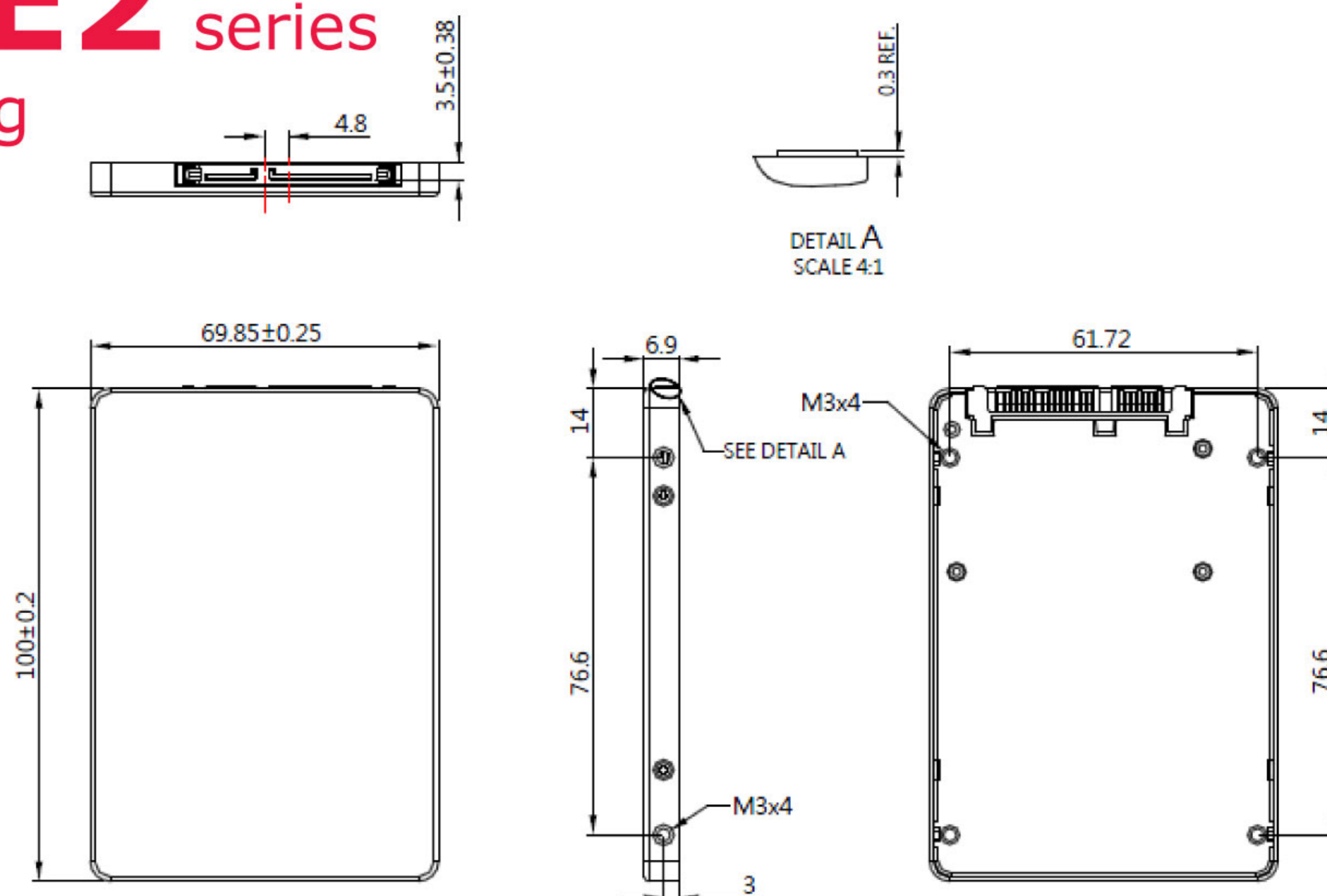


2.5" SATA SSD

3ME2 series

Drawing



Specifications

Interface	SATA III
Flash Type	MLC
Capacity	64GB~256GB
Max. Channels	4
Sequential R/W (MB/sec, max.)	470 / 160
Max. Power Consumption	1.67W (5V x 335 mA)
Thermal Sensor	√
External DRAM Buffer	-
H/W Write Protect	-
Pin7 Power	-
ATA Security	√
S.M.A.R.T.	√
Dimension (WxLxH)	54.0 X 39.0 X 4.0 mm
Environment	Vibration: 20G @7~2000Hz Shock: 1500G @ 0.5ms Storage Temperature: -55°C ~ +95°C MTBF: 3 million hours

Ordering Information

Operation Temp.	64GB	128GB	256GB
Standard Grade (0°C ~ +70°C)	DES25-64GD72SCCQN	DES25-A28D72SCCQN	DES25-B56D72SCCQN
Industrial Grade (-40°C ~ +85°C)	DES25-64GD72SWCQN	DES25-A28D72SWCQN	DES25-B56D72SWCQN