

2.5" SATA SSD

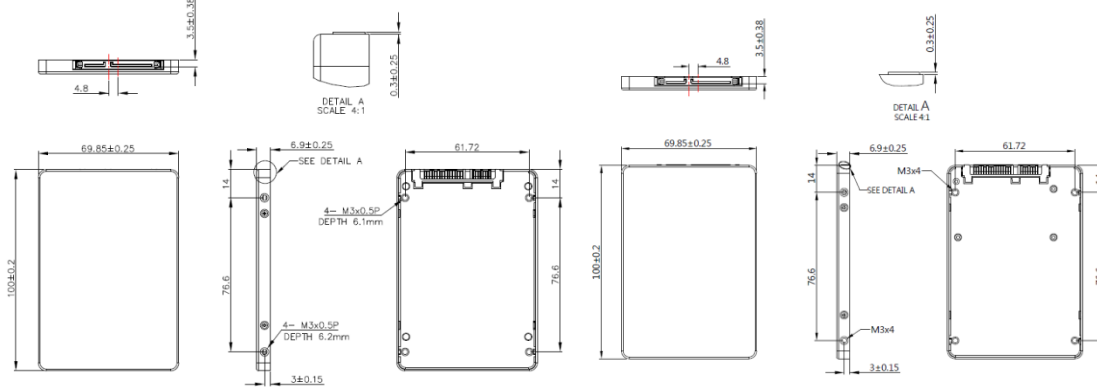
3ME3 series

Drawing

* DES25-XXXD08S(B)X1XC

* DES25-XXXD09S(B)X1XC

* DES25-XXXD08S(B)X3XC



Specifications

Interface	SATA III
Flash Type	MLC
Flash P/E Cycle Limit	3000
Capacity	8GB~256GB (19nm) 16GB~512GB (15nm)
Max. Channels	4
Sequential R/W (MB/sec, max.)	415/200
Max. Power Consumption	2.1 W (5V x 428 mA)
Thermal Sensor	ST-Optional; WT-Supported
External DRAM Buffer	-
H/W Write Protect	-
Pin7 Power	-
ATA Security	Supported
S.M.A.R.T.	Supported
Dimension (WxLxH)	69.85 X 100.10 X 7.0 mm
Environment	Vibration: 20G @ 7~2000Hz Shock: 1500G @ 0.5ms Storage Temperature: -55°C ~ +95°C MTBF: 3 million hours

Ordering Information

Operation Temp.	8GB	16GB	32GB	32GB	64GB	128GB	256GB	512GB
Standard Grade (0°C ~ +70°C)	DES25-08GD09SC1SC	DES25-16GD09SC1DC	DES25-32GD09SC1DC	DES25-32GD08SC1QC	DES25-64GD08SC1QC	DES25-A28D08SC1QC	DES25-B56D08SC1QC	DES25-C12D08BC1QC
		DES25-16GD09BC1SC	DES25-32GD09BC1DC		DES25-64GD08BC3QC	DES25-A28D08BC3QC	DES25-B56D08BC3QC	
Industrial Grade (-40°C ~ +85°C)	DES25-08GD09SW1SC	DES25-16GD09SW1DC	DES25-32GD09SW1DC	DES25-32GD08SW1QC	DES25-64GD08SW1QC	DES25-A28D08SW1QC	DES25-B56D08SW1QC	DES25-C12D08BW1QC
		DES25-16GD09BW1SC	DES25-32GD09BW1DC		DES25-64GD08BW3QC	DES25-A28D08BW3QC	DES25-B56D08BW3QC	