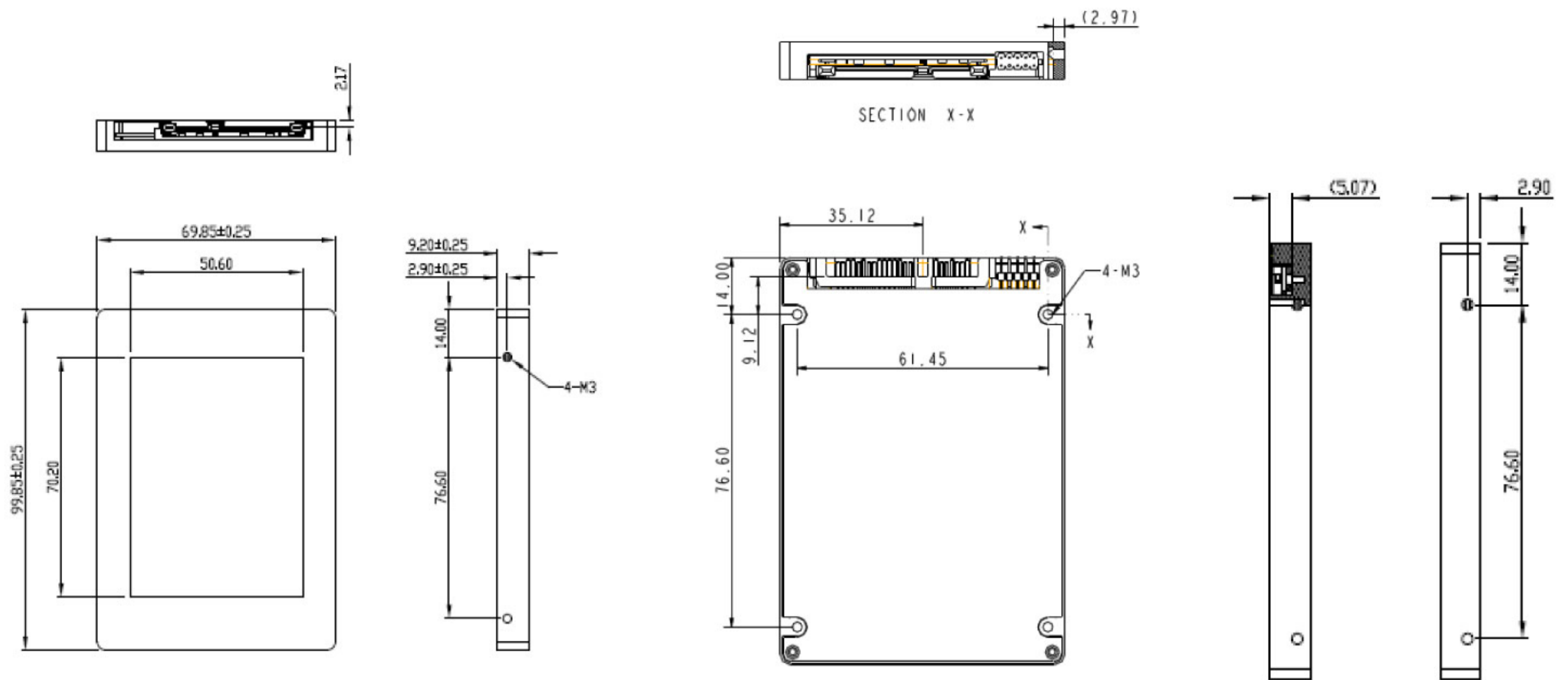


2.5" SATA SSD

3MR3-P series



Specifications

Interface	SATA III
Flash Type	MLC
Capacity	64GB~512GB
Max. Channels	4
Sequential R/W (MB/sec, max.)	490 / 270
4KB Random (QD32) R/W (IOPS)	25,000/32,000
Max. Power Consumption	4.5 W (5V x 900mA)
Thermal Sensor	√
External DRAM Buffer	√
H/W Write Protect	√
ATA Security	√
S.M.A.R.T.	√
Dimension (WxLxH)	69.8 X 100.1 X 9.2 mm
Environment	Vibration: 20G @7~2000Hz Shock: 1500G @ 0.5ms Storage Temperature: -55°C ~ +95°C MTBF: 3 million hours
Note: Performance is based on CrystalDiskMark 3.03 with file size 1000MB	

Ordering Information

Operation Temp.	64GB	128GB	256GB	512GB
Standard Grade (0°C ~ +70°C)	DRS25-64GD70BCAQC	DRS25-A28D70BCAQC	DRS25-B56D70BCAQC	DRS25-C12D70BCAQC
Industrial Grade (-40°C ~ +85°C)	DRS25-64GD70BWAQC	DRS25-A28D70BWAQC	DRS25-B56D70BWAQC	DRS25-C12D70BWAQC