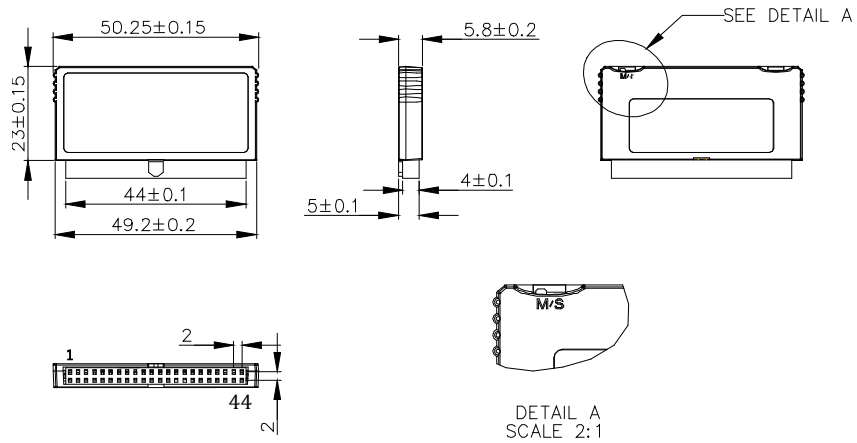


EDC 1ME series

Drawing



Specifications

Interface	PATA
Flash Type	MLC
Capacity	8GB~128GB
Max. Channels	2
Sequential R/W (MB/sec, max.)	110/75
Max. Power Consumption	0.76W(3.3V x 230mA)
Thermal Sensor	-
External DRAM Buffer	-
H/W Write Protect	Optional
ATA Security	√
S.M.A.R.T.	√
Dimension (WxLxH)	50.3 X 27.3 X 7.5 mm
Environment	Vibration: 20G @7~2000Hz Shock: 1500G @ 0.5ms Storage Temperature: -55°C ~ +95°C MTBF: 3 million hours

Ordering Information

Operation Temp.	4GB	8GB	16GB	32GB	64GB	128GB
Standard Grade (0°C ~ +70°C)	DEE4H-04GD53RC1SC	DEE4H-08GD53RC1SC DEE4H-08GD53BC1SC	DEE4H-16GD53RC1DC DEE4H-16GD53BC1SC	DEE4H-32GD53RC1DC DEE4H-32GD53BC1DC	DEE4H-64GD53RC1DC DEE4H-64GD53BC1DC	DEE4H-A28D53BC1DC
Industrial Grade (-40°C ~ +85°C)	DEE4H-04GD53RW1SC	DEE4H-08GD53RW1SC DEE4H-08GD53BW1SC	DEE4H-16GD53RW1DC DEE4H-16GD53BW1DC	DEE4H-32GD53RW1DC DEE4H-32GD53BW1DC	DEE4H-64GD53RW1DC DEE4H-64GD53BW1DC	DEE4H-A28D53BW1DC

R: Toshiba A19nm MLC / B: Toshiba 15nm MLC