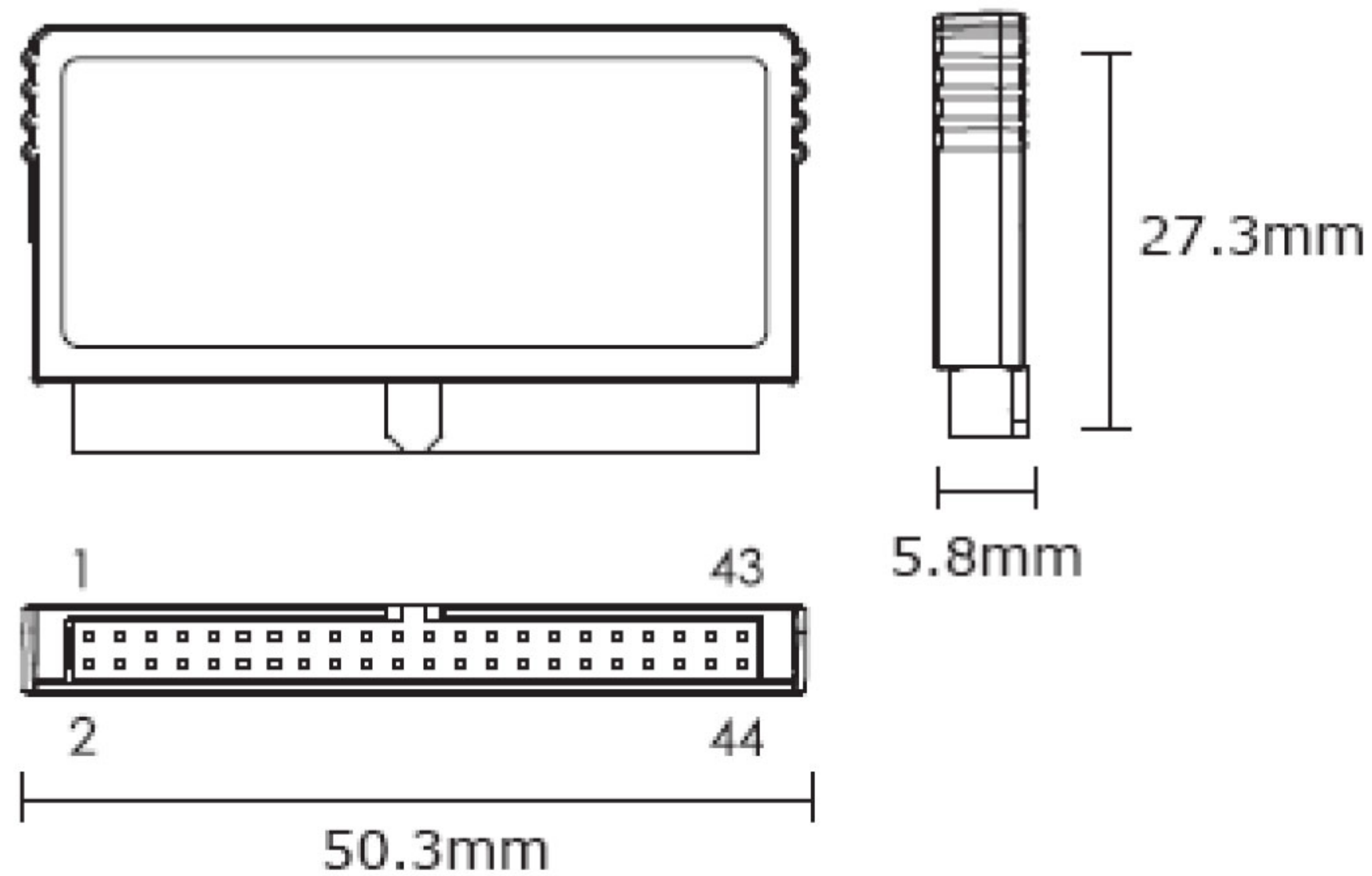


EDC

1SE series

Diagram



Specifications

Interface	PATA
Flash Type	SLC
Capacity	512MB~4GB
Max. Channels	2
Sequential R/W (MB/sec, max.)	40/28
Max. Power Consumption	0.76W(3.3V x 230mA)
Thermal Sensor	ST- optional/ WT-default
External DRAM Buffer	-
H/W Write Protect	Optional
ATA Security	√
S.M.A.R.T.	√
Dimension (WxLxH)	50.3 X 27.3 X 5.8 mm
Environment	Vibration: 20G @7~2000Hz Shock: 1500G @ 0.5ms Storage Temperature: -55°C ~ +95°C MTBF: 3 million hours

Ordering Information

Operation Temp.	512MB	1GB	2GB	4GB
Standard Grade (0°C ~ +70°C)	DE4H-512D41AC1SB	DE4H-01GD41AC1DB	DE4H-02GD41AC1DB	DE4H-04GD41AC1DB
Industrial Grade (-40°C ~ +85°C)	DE4H-512D41AW1SB	DE4H-01GD41AW1DB	DE4H-02GD41AW1DB	DE4H-04GD41AW1DB