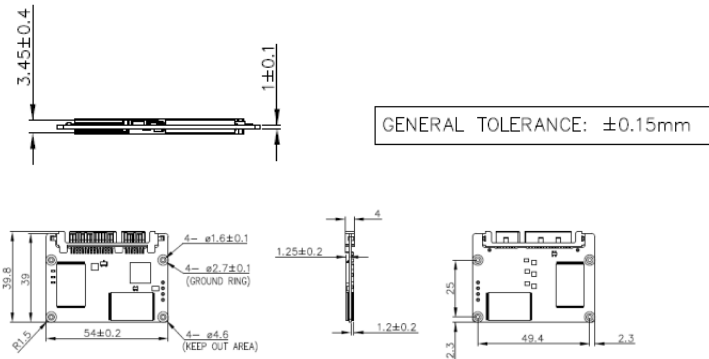


SATA Slim

3IE3 series

Drawing



Specifications

Interface	SATA III
Flash Type	iSLC
Capacity	8GB~128GB
Max. Channels	4
Sequential R/W (MB/sec, max.)	440 / 220
Max. Power Consumption	1.6W (5V x 310 mA)
Thermal Sensor	ST- Optional/ WT- Default
External DRAM Buffer	-
H/W Write Protect	-
Pin7 Power	-
ATA Security	√
S.M.A.R.T.	√
Dimension (WxLxH)	54.0 X 39.0 X 4.0 mm
Environment	Vibration: 20G @7~2000Hz Shock: 1500G @ 0.5ms Storage Temperature: -55°C ~ +95°C MTBF: 3 million hours

Ordering Information

Operation Temp.	8GB	16GB	32GB	64GB	128GB
Standard Grade (0°C ~ +70°C)	DHSLM-08GD08BC1SC DHSLM-08GD08BC1DC	DHSLM-16GD08BC1DC	DHSLM-32GD08BC1QC	DHSLM-64GD08BC1QC	DHSLM-A28D08BC1QC
Industrial Grade (-40°C ~ 85°C)	DHSLM-08GD08BW1SC DHSLM-08GD08BW1DC	DHSLM-16GD08BW1DC	DHSLM-32GD08BW1QC	DHSLM-64GD08BW1QC	DHSLM-A28D08BW1QC