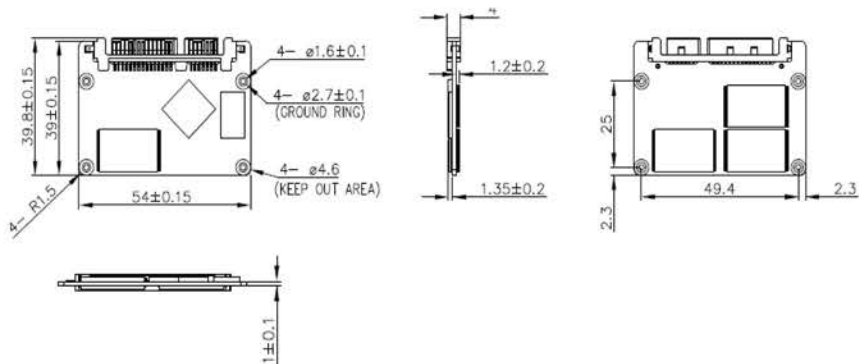


SATA Slim

3MG2-P series

Drawing



Specifications

Interface	SATA III
Flash Type	MLC
Flash P/E Cycle Limit	3000
Capacity	8GB~128GB
Max. Channels	4
Sequential R/W (MB/sec, max.)*	520/165 MB/s
4KB Random (QD32) R/W (IOPS)**	70,000/13,000
Max. Power Consumption	2.6W (5V x 520 mA)
Thermal Sensor	√
External DRAM Buffer	√
H/W Write Protect	Optional
Pin7 Power	-
ATA Security	√
S.M.A.R.T.	√
DEVSPLP Mode	√ (min. power consumption 3mW)
Slumber Mode	√ (min. power consumption 30mW)
Dimension (WxLxH)	54.0 X 39.0 X 4.0 mm
Environment	Vibration: 20G @7~2000Hz Shock: 1500G @ 0.5ms Storage Temperature: -55°C ~ +95°C MTBF: 3 million hours
* Sequential performance based on CrystalDiskMark 3.01 with file size 1000MB	
** Random performance based on IOMeter with Queue Depth 32	

Ordering Information

Operation Temp.	8GB	16GB	32GB	64GB	128GB
Standard Grade (0°C ~ +70°C)	DGSLM-08GD81SC1SC	DGSLM-16GD81SC1DC	DGSLM-32GD81SC1QC	DGSLM-64GD81SC1QC	DGSLM-A28D81SC1QC
Industrial Grade (-40°C ~ +85°C)	DGSLM-08GD81SW1SC	DGSLM-16GD81SW1DC	DGSLM-32GD81SW1QC	DGSLM-64GD81SW1QC	DGSLM-A28D81SW1QC