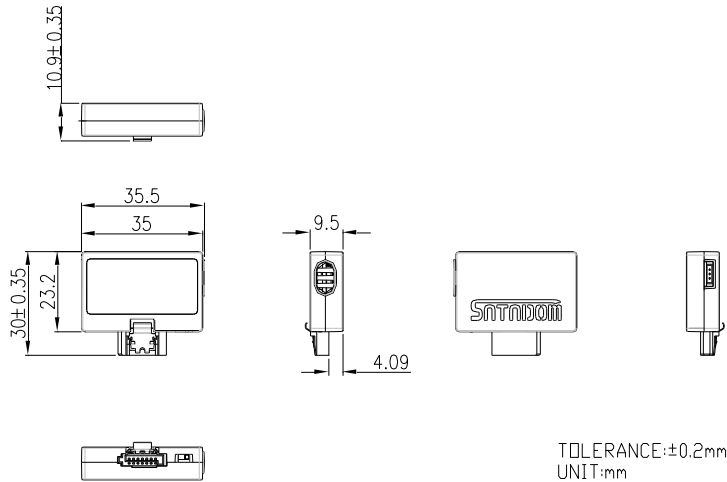


SATADOM-ML

3ME3 series

Diagram



Dimension tolerance: ±0.2mm

Specifications

Interface	SATA III
Flash Type	MLC
Capacity	16GB~256GB
Max. Channels	4
Sequential R/W (MB/sec, max.)	400/140
Max. Power Consumption	2A (5V x 400mA)
Thermal Sensor	ST- Optional/ WT- Default
Extended DRAM buffer	-
H/W Write Protect	✓
ATA Security	✓
S.M.A.R.T.	✓
Dimension (WxLxH)	35.5 X 30.0 X 10.8 mm
Environment	Vibration: 20G @7~2000Hz Shock: 1500G @ 0.5ms Storage Temperature: -55°C ~ +95°C MTBF: 3 million hours

Ordering Information

Operation Temp.	16GB	32GB	64GB	128GB	256GB
Standard Grade (0°C ~ +70°C)	DESML-16GD08*C1DC(F)	DESML-32GD08*C1DC(F)	DESML-64GD08*C1DC(F)	DESML-A28D08*CAQC(F)	DESML-B56D08*CAQC(F)
Industrial Grade (-40°C ~ +85°C)	DESML-16GD08*W1DC(F)	DESML-32GD08*W1DC(F)	DESML-64GD08*W1DC(F)	DESML-A28D08*WAQC(F)	DESML-B56D08*WAQC(F)

*S: Toshiba A19 nm MLC/ B: Toshiba 15nm MLC

PN end with F is SATADOM Pin 7 with power supply version, which doesn't provide power cable.