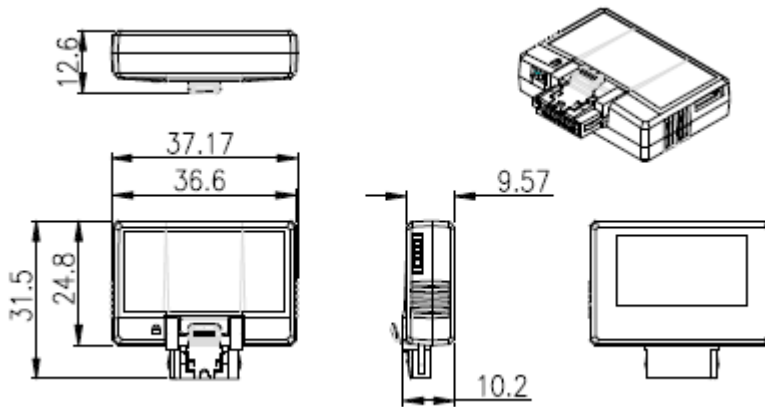


SATADOM-ML

3MG2-P series

Diagram



Dimension tolerance: $\pm 0.2\text{mm}$

Specifications

Interface	SATA III
Flash Type	MLC
Capacity	32GB~256GB
Max. Channels	4
Sequential R/W (MB/sec, max.)	520/ 180
Max. Power Consumption	2.39A (5V x 478mA)
Thermal Sensor	√
Extended DRAM buffer	√
H/W Write Protect	√
ATA Security	√
S.M.A.R.T.	√
Dimension (WxLxH)	37.17 x 31.5 x 10.2 mm
Environment	Vibration: 20G @7~2000Hz Shock: 1500G @ 0.5ms Storage Temperature: -55°C ~ +95°C MTBF: 3 million hours

Ordering Information

	32GB	64GB	128GB	256GB
Standard Grade (0°C ~ +70°C)	DGSML-32GD81BCBDC*	DGSML-64GD81BCBQC*	DGSML-A28D81BCBQC*	DGSML-B56D81BCBQC*
Industrial Grade (-40°C ~ +85°C)	DGSML-32GD81BWBDC*	DGSML-64GD81BWBQC*	DGSML-A28D81BWBQC*	DGSML-B56D81BWBQC*

* A: Pin8+ power cable / B: Pin8+ Pin 7