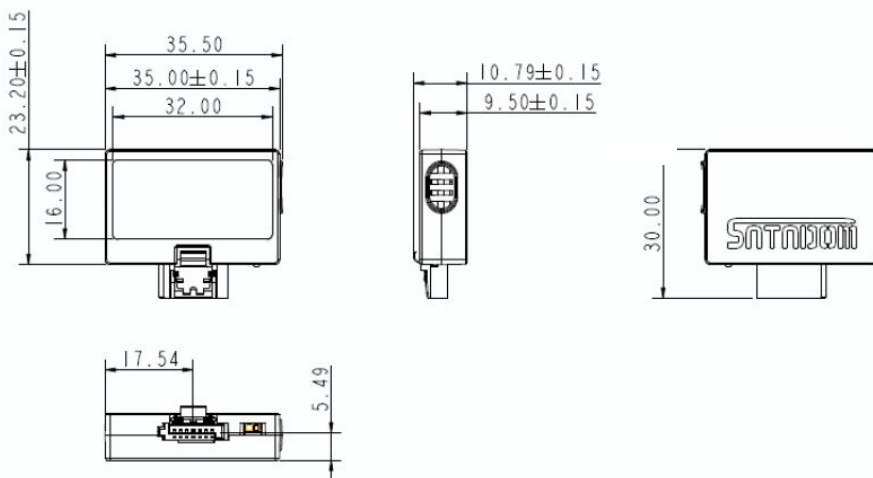


# SATADOM-ML

## 3SE-P series

### Diagram



### Specifications

|                               |   |
|-------------------------------|---|
| Interface                     | SATA III  |
| Flash Type                    | SLC   |
| P/E cycle                     | 100,000   |
| Capacity                      | 4GB~64GB  |
| Max. Channels                 | 4   |
| Sequential R/W (MB/sec, max.) | 480/240   |
| Max. Power Consumption        | 2W (5V x 400mA)   |
| Thermal Sensor                | WT only   |
| Extended DRAM buffer          | -   |
| H/W Write Protect             | √   |
| ATA Security                  | √   |
| S.M.A.R.T.                    | √   |
| Dimension (WxLxH)             | 35.5 X 30 X 9.5 mm  |
| Environment                   | Vibration: 20G @7~2000Hz<br>Shock: 1500G @ 0.5ms<br>Storage Temperature: -55°C ~ +95°C<br>MTBF: 3 million hours |