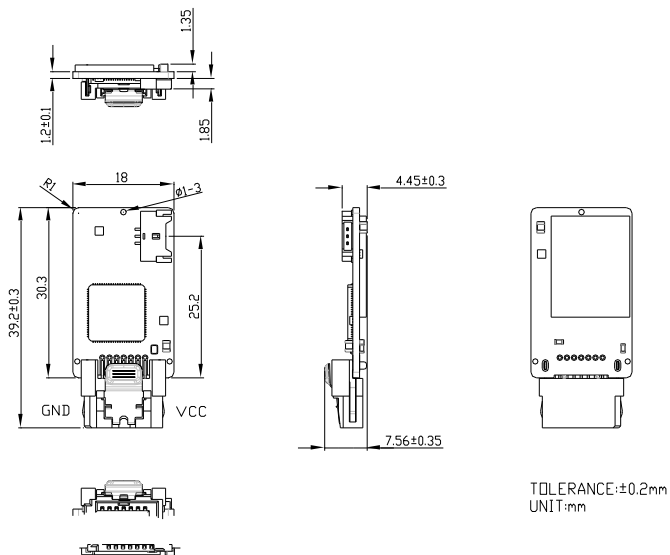


# SATADOM-SV

## 3ME2 series

### Diagram



### Specifications

|                               |   |
|-------------------------------|---|
| Interface                     | SATA III  |
| Flash Type                    | MLC   |
| Capacity                      | 16GB~128GB  |
| Max. Channels                 | 2   |
| Sequential R/W (MB/sec, max.) | 340 / 160   |
| Max. Power Consumption        | 0.8W (5V x 166mA)   |
| Thermal Sensor                | √   |
| External DRAM buffer          | -   |
| H/W Write Protect             | -   |
| ATA Security                  | √   |
| S.M.A.R.T.                    | √   |
| Dimension (WxLxH)             | 18 x 39.2 x 7.56  |
| Environment                   | Vibration: 20G @7~2000Hz<br>Shock: 1500G @ 0.5ms<br>Storage Temperature: -55°C ~ +95°C<br>MTBF: 3 million hours |

### Ordering Information

| Operation Temp.                     | 16GB               | 32GB               | 64GB               | 128GB              |
|-------------------------------------|--------------------|--------------------|--------------------|--------------------|
| Standard Grade<br>(0°C ~ +70°C)     | DESSV-16GD72SCASNA | DESSV-32GD72SCADNA | DESSV-64GD72SCADNA | DESSV-A28D72BCADCA |
|                                     | DESSV-16GD72SCASNB | DESSV-32GD72SCADNB | DESSV-64GD72SCADNB | DESSV-A28D72BCADCB |
| Industrial Grade<br>(-40°C ~ +85°C) | DESSV-16GD72SWASNA | DESSV-32GD72SWADNA | DESSV-64GD72SWADNA | DESSV-A28D72BWADCA |
|                                     | DESSV-16GD72SWASNB | DESSV-32GD72SWADNB | DESSV-64GD72SWADNB | DESSV-A28D72BWADCB |

\*PN end with A: Pin8+ power cable  
B: Pin8+ Pin 7