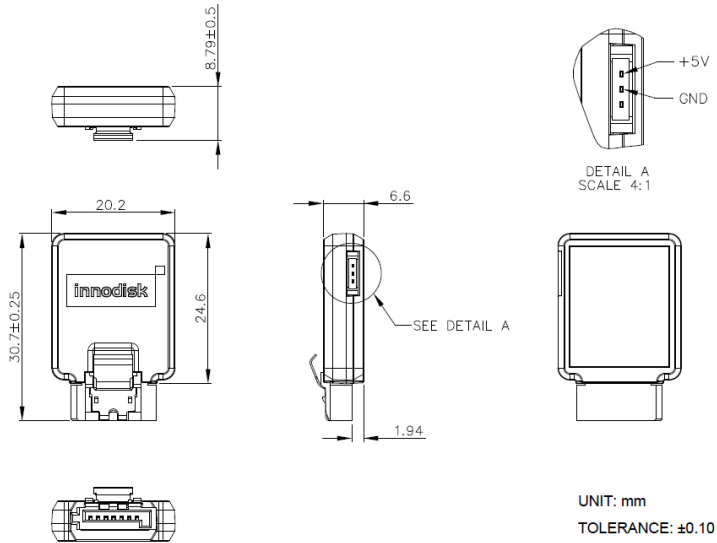


ServerDOM-V

3ME3 series Drawing



Specifications

Interface	SATA III 6Gb/s
Flash Type	MLC
Capacity (GB)	16, 32, 64, 128
Max. Channels	4
Sequential R/W (MB/sec, Max.)	410/140
Voltage	+5V ±10%
Max. Power Consumption	2.3W
ATA Security	Supported
S.M.A.R.T.	Supported
Dimension	20.2 X 30.7 X 8.7 mm
Environmental Specifications	Standard grade: 0°C ~ +70°C Industrial grade: -40°C ~ +85°C
Environment	Vibration: 20G @7~2000Hz Shock: 1500G @ 0.5ms Storage Temperature: -55°C ~ +95°C MTBF: 3 million hours
OS Support	Windows series, Linux

Ordering Information

Operation Temp.	16GB	32GB	64GB	128GB
Standard Grade (0°C ~ +70°C)	DESNV-16GD08BCASC	DESNV-32GD08BCADC	DESNV-64GD08BCAQC	DESNV-A28D08BCAQC
Industrial Grade (-40°C ~ +85°C)	DESNV-16GD08BWASC	DESNV-32GD08BWADC	DESNV-64GD08BWAQC	DESNV-A28D08BWAQC