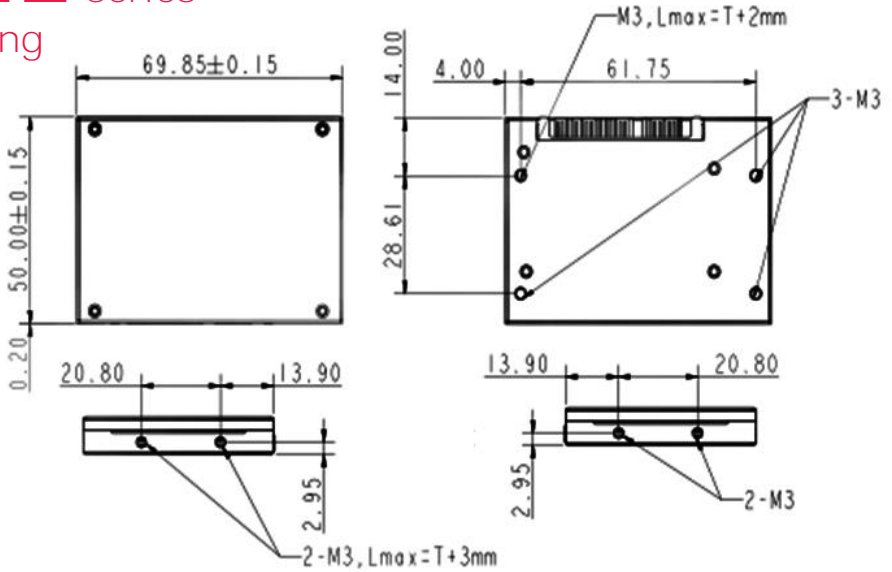


# Slim SSD

## 3ME series

### Drawing



## Specifications

Interface	SATA III
Flash Type	MLC
Flash P/E Cycle Limit	3000
Capacity	8GB~64GB
Max. Channels	2
Sequential R/W (MB/sec, max.)	290 / 80
Max. Power Consumption	1.6W (5V x 310 mA )
Thermal Sensor	ST- Optional/ WT- Default
External DRAM Buffer	-
H/W Write Protect	-
Pin7 Power	-
ATA Security	✓
S.M.A.R.T.	✓
Dimension (WxLxH)	69.85 X 50.0 X 9.0 mm
Environment	Vibration: 20G @7~2000Hz Shock: 1500G @ 0.5ms Storage Temperature: -55°C ~ +95°C MTBF: 3 million hours

## Ordering Information

Operation Temp.	8GB	16GB	32GB	64GB
Standard Grade (0°C ~ +70°C)	DEMLM-08GD07TC1SC	DEMLM-16GD06TC1DC	DEMLM-32GD07TC1DC	DEMLM-64GD07TC1DC
Industrial Grade (-40°C ~ +85°C)	DEMLM-08GD07TW1SC	DEMLM-16GD06TW1DC	DGSLM-32GD07TW1DC	DEMLM-64GD07TW1DC