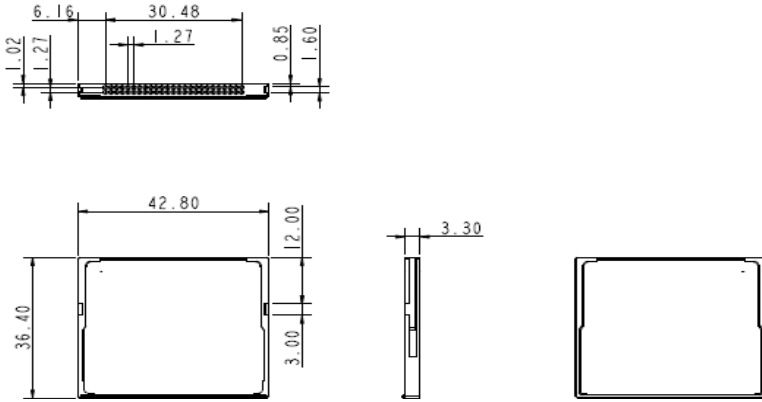


iCF

4000 series

Drawing



Specifications

Interface	PATA
Flash Type	SLC
Capacity	128MB~8GB
Max. Channels	2
Sequential R/W (MB/sec, max.)	40/20
Max. Power Consumption	0.75W(5V x 125mA)
Thermal Sensor	-
External DRAM Buffer	-
H/W Write Protect	Optional
ATA Security	√
S.M.A.R.T.	√
Dimension (WxLxH)	42.8X 36.4 X 3.3 mm
Environment	Vibration: 20G @7~2000Hz Shock: 1500G @ 0.5ms Storage Temperature: -55°C ~ +95°C MTBF: 3 million hours

Ordering Information

Operation Temp.	128MB	256MB	512MB	1GB	2GB	4GB	8GB
Standard Grade (0°C ~ +70°C)	DC1M-128D31C1SB	DC1M-256D31C1SB	DC1M-512D31C1SB	DC1M-01GD31C1DB	DC1M-02GD31C1DB	DC1M-04GD31C1DB	DC1M-08GD31C1DB
Industrial Grade (-40°C ~ +85°C)	DC1M-128D31W1SB	DC1M-256D31W1SB	DC1M-512D31W1SB	DC1M-01GD31W1DB	DC1M-02GD31W1DB	DC1M-04GD31W1DB	DC1M-08GD31W1DB