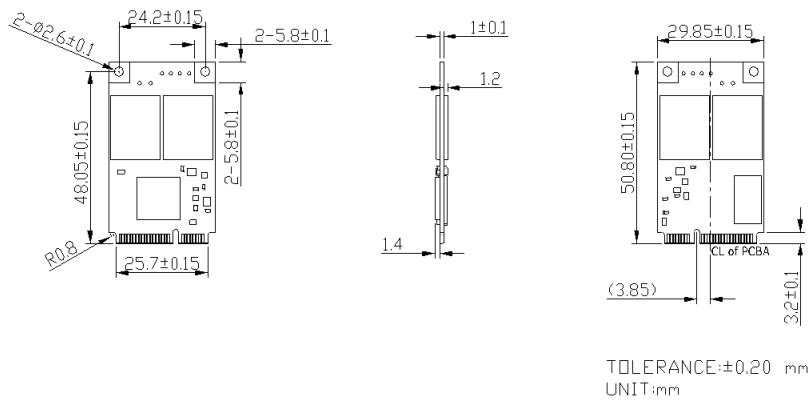


mSATA

3MG2-P series

Diagram



Specifications

Interface	SATA III
Flash Type	MLC
Capacity	16GB~512GB
Max. Channels	4
Sequential R/W (MB/sec, max.)*	520 / 290 MB/s
4KB Random (QD32) R/W (IOPS)**	67,000/71,000
Max. Power Consumption	2.2 W (3.3 V x 0.66 A)
Thermal Sensor	√
External DRAM Buffer	√
H/W Write Protect	Optional
ATA Security	√
S.M.A.R.T.	√
DEVSLP Mode	√ (min. power consumption 3mW)
Slumber Mode	√ (min. power consumption 30mW)
Dimension (WxLxH)	29.85 X 50.8 X 3.6 mm
Environment	Vibration: 20G @7~2000Hz Shock: 1500G @ 0.5ms Storage Temperature: -55°C ~ +95°C MTBF: 3 million hours
* Sequential performance based on CrystalDiskMark 3.01 with file size 1000MB	
** Random performance based on Iometer with Queue Depth 32	

Ordering Information

Operation Temp.	16GB	32GB	64GB	128GB	256GB	512GB
Standard Grade (0°C ~ +70°C)	DGMSR-16GD81SCASN	DGMSR-32GD81SCADN	DGMSR-64GD81SCAQN	DGMSR-A28D81SCAQN	DGMSR-B56D81SCAQN	DGMSR-C12D81SCAQN
Industrial Grade (-40°C ~ +85°C)	DGMSR-16GD81SWASN	DGMSR-32GD81SWADN	DGMSR-64GD81SWAQN	DGMSR-A28D81SWAQN	DGMSR-B56D81SWAQN	DGMSR-C12D81SWAQN