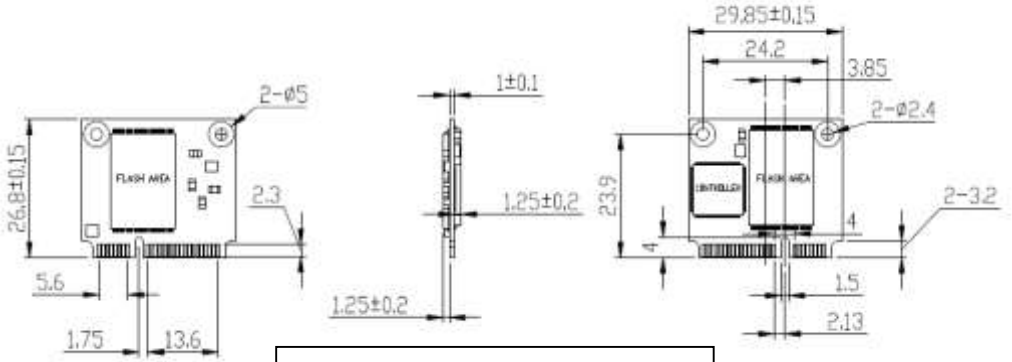


mSATA mini

3ME3 series

Diagram



General tolerance: 0.15mm

Specifications

| | |
|-------------------------------|-----------------------------------------------------------------------------------------------------------------|
| Interface | SATA III |
| Flash Type | MLC |
| Capacity | 8GB~128GB |
| Max. Channels | 2 |
| Sequential R/W (MB/sec, max.) | 200 / 80 |
| Max. Power Consumption | 0.5 W (3.3V x 150 mA) |
| Thermal Sensor | WT as default, ST by option |
| External DRAM buffer | - |
| Trim | √ |
| ATA Security | √ |
| S.M.A.R.T. | √ |
| Dimension (WxLxH) | 29.8 X 26.8 X 3.5 mm |
| Environment | Vibration: 20G @7~2000Hz Shock: 1500G @ 0.5ms Storage Temperature: -55°C ~ +95°C MTBF: 3 million hours |

Ordering Information

| Operation Temp. | 08GB | 16GB | 32GB | 64GB | 128GB |
|-------------------------------------|--------------------|--------------------|--------------------|--------------------|--------------------|
| Standard Grade (0°C ~ +70°C) | DEM SM-08GD09SC1SC | DEM SM-16GD09SC1DC | DEM SM-32GD09SC1DC | DEM SM-64GD09SC1DC | DEM SM-A28D09SCADC |
| Industrial Grade (-40°C ~ +85°C) | DEM SM-08GD09SW1SC | DEM SM-16GD09SW1DC | DEM SM-32GD09SW1DC | DEM SM-64GD09SW1DC | DEM SM-A28D09SWADC |