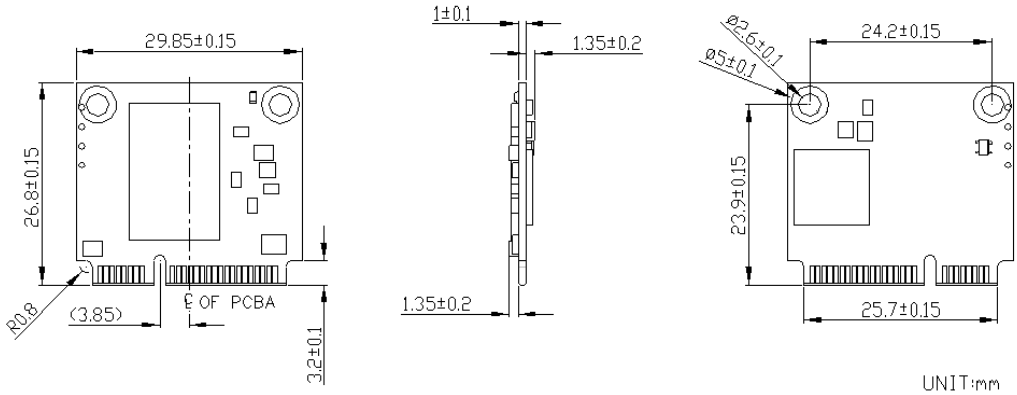


mSATA mini 3SE3 series

Diagram



Specifications

Interface	SATA III
Flash Type	SLC
Capacity	04GB~32GB
Max. Channels	2
Sequential R/W (MB/sec, max.)	215 / 120
Max. Power Consumption	0.7 W (3.3V x 240 mA)
Thermal Sensor	WT only
External DRAM Buffer	-
H/W Write Protect	-
ATA Security	√
S.M.A.R.T.	√
Dimension (WxLxH)	29.8 X 26.8 X 3.7 mm
Environment	Vibration: 20G @7~2000Hz Shock: 1500G @ 0.5ms Storage Temperature: -55°C ~ +95°C MTBF: 3 million hours

Ordering Information

Operation Temp.	4GB	8GB	16GB	32GB
Standard Grade (0°C ~ +70°C)	DEMISM-04GD09SCADB	DEMISM-08GD09SCADB	DEMISM-16GD09SCADB	DEMISM-32GD09SCADB
industrial Grade (-40°C ~ +85°C)	DEMISM-04GD09SWADB	DEMISM-08GD09SWADB	DEMISM-16GD09SWADB	DEMISM-32GD09SWADB