

IOVU-572M

5.7" TFT VGA LCD with resistive touchscreen

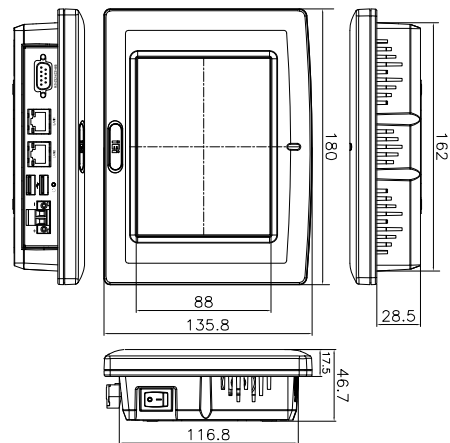
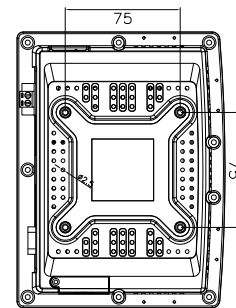
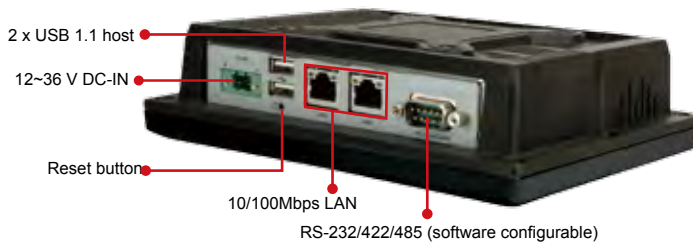


Features

- 5.7" TFT VGA LCD with resistive touchscreen
- XScale® PXA310 624MHz CPU
- Powered by Windows® CE 6.0
- Built-in Ethernet LAN and Wi-Fi
- Built-in RS-232/422/485 Port
- Support .Net Frame Work V3.5



IOVU-572M Dimensions (Unit: mm)



Ordering Information

Part No.	Description
IOVU-572M-CE6/-R12	5.7" LCD, Marvell PXA310 624MHZ, built-in Wi-Fi, WIN CE6.0, RoHS
IOVU-572M-CE6/WOWL/-R11	RISC PANEL PC, 5.7" LCD, Marvell PXA310 624MHZ, NO WIFI, WIN CE6.0, RoHS

Packing List

- 1 x Utility CD includes application tools, SDK, and technical document
- 1 x Null modem cable
- 1 x Touch pen

Options

Part No.	Description
AFLPK-12	Panel mounting kit
AFLWK-12	VESA 75 wall mounting kit
ARM-11-RS	LCD monitor/PPC arm kit, loading capacity from 3kg~7kg
STAND-B08	LCD MONITOR/PPC STAND, FOR AFL and ACT SERIES, VESA 75, SUPPORT UP TO 5 KG, ROHS
VSTAND-A07	LCD monitor/PPC stand V type for VESA 75, 0~90 degree adjustable hinge and supports up to 2.5 kg
63040-010060-140-RS	Adapter Power; FSP; FSP060-DIBAN2; 9NA0605310;; Vin: 90~264VAC; 60W; Dim: 62.0*110*31.5mm;; Cable=1200mm; Erp(NO LOAD 0.21W); Vout: 12VDC; Bare Wire; CCL; RoHS