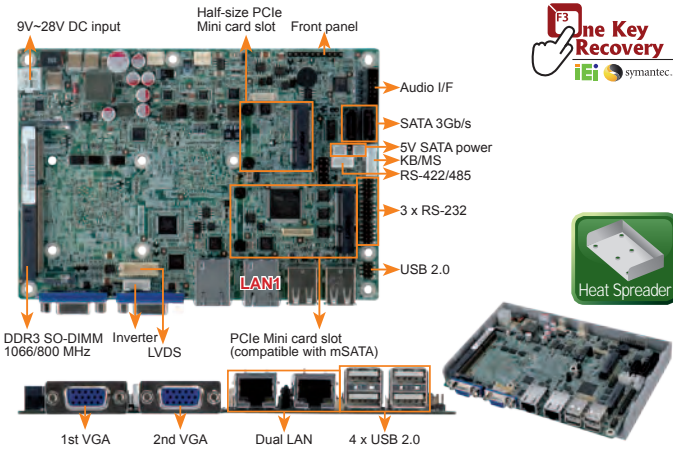


NANO-CV-D25502/N26002

EPIC SBC with Intel® Atom™ D2550 1.86GHz/ N2600 1.6GHz, DDR3, Dual VGA/ LVDS, Dual GbE, USB 2.0, Dual PCIe Mini, SATA 3Gb/s, mSATA and Audio



Features

- EPIC form factor with Intel® Atom™ dual core D2550 1.86GHz/N2600 1.6GHz processor supporting DDR3 memory
- Dual display support by dual VGA and 18/24-bit single-channel LVDS
- 1066/800MHz DDR3 SO-DIMM supports up to 4 GB
- Easy assembly heat spreader for thermal management
- Wide power voltage range supports 9V ~ 28V power input
- IEI One Key Recovery solution allows you to create rapid OS backup and recovery

Specifications

- ◆ CPU
 - Intel® Atom™ D2550 (1.86GHz, dual-core, 1MB cache)
 - Intel® Atom™ N2600 (1.6GHz, dual-core, 1MB cache)
 - Intel® Atom™ N2800 (1.86GHz, dual-core, 1MB cache)
- ◆ Chipset: Intel® NM10
- ◆ BIOS: UEFI BIOS
- ◆ Memory
 - 1 x 1066 MHz DDR3 SO-DIMM supporting up to 4 GB (for D2550 and N2800)
 - 1 x 800 MHz DDR3 SO-DIMM supporting up to 2 GB (for N2600)
- ◆ Graphics Engine
 - GMA 3650 at 640 MHz graphics core speed (for N2550 and N2800)
 - GMA 3600 at 400 MHz graphics core speed (for N2600)
- ◆ Display Output
 - VGA1 integrated in the CPU (up to 1920x1200@60Hz)
 - VGA2 driver via the NXP PTN3392 (up to 1920x1200@60Hz)
 - 24-bit single-channel LVDS (D2550) (up to 1440x900@60Hz)
 - 18-bit single-channel LVDS (N2600/N2800) (up to 1366x768@60Hz)
- ◆ Ethernet
 - Dual PCIe LAN controller by Realtek RTL8111E with ASF 2.0 support
- ◆ Super I/O: Fintek F81866
- ◆ Audio
 - Realtek ALC662 HD codec (Line-in, Line-out, Mic)
- ◆ Digital I/O: 1 x 8-bit digital I/O (2x5 pin)
- ◆ I/O Interface
 - 1 x RS-422/485
 - 3 x RS-232
 - 1 x 6-pin wafer for PS/2 KB/MS
 - 6 x USB 2.0 (4 on rear, 2 by pin header)
 - 2 x SATA 3Gb/s with SATA 5V power connector (SATA1 and mSATA shares SATA signal)
- ◆ Expansions
 - 1 x Full-size PCIe Mini card slot (supports mSATA, co-lay with SATA1)
 - 1 x Half-size PCIe Mini card slot
- ◆ Watchdog Timer
 - Software programmable supports 1~255 sec. system reset
- ◆ Fan Connector (smart fan support)
 - 1 x CPU smart fan (1x3 pin)
 - 1 x System smart fan (1x3 pin)
- ◆ Power Supply
 - 9~28V DC input
 - 1 x Internal power connector (2x2 pin) Support AT/ATX mode
- ◆ Power Consumption
 - 12V@1.59A (Intel® Atom™ D2550 dual-core CPU with 1333 MHz 4 GB DDR3 memory)
 - 12V@1.23A (Intel® Atom™ D2600 dual-core CPU with 1333 MHz 4 GB DDR3 memory)
- ◆ Operating Temperature
 - 20°C ~ 60°C with free air, -20°C ~ 70°C with force air for D2550 processor
 - 20°C ~ 70°C with free air, -20°C ~ 75°C with force air for N2600/N2800 processor
- ◆ Storage Temperature: -30°C ~ 80°C
- ◆ Operating Humidity: 5% ~ 95%, non-condensing
- ◆ Dimensions: 115 mm x 165 mm
- ◆ Weight: GW: 850g/NW: 350g

Packing List

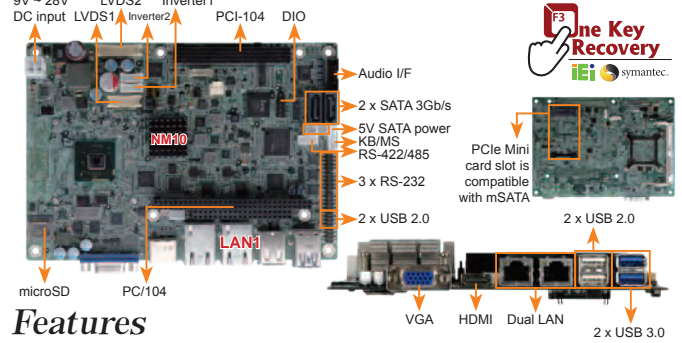
1 x NANO-CV-D25502/N26002 single board computer	
1 x Audio cable	
1 x Heat spreader	1 x Mini jumper pack
1 x Power cable	1 x One Key Recovery CD
1 x RS-232 cable	1 x QIG (Quick Installation Guide)
1 x SATA with 5V output cable kit	1 x Utility CD

Ordering Information

Part No.	Description
NANO-CV-D25502-R10	EPIC SBC with Intel® Atom™ D2550 1.86GHz, DDR3, dual VGA/LVDS, dual GbE, USB 2.0, dual PCIe Mini, SATA 3Gb/s, mSATA and Audio
NANO-CV-N26002-R10	EPIC SBC with Intel® Atom™ N2600 1.6GHz, DDR3, dual VGA/LVDS, dual GbE, USB 2.0, dual PCIe Mini, SATA 3Gb/s, mSATA and Audio
NANO-CV-N28002-R10**	EPIC SBC with Intel® Atom™ N2800 1.86GHz, DDR3, dual VGA/LVDS, dual GbE, USB 2.0, dual PCIe Mini, SATA 3Gb/s, mSATA and Audio (by project support, MOQ 100pcs / lot)
32000-023800-RS	PS/2 KB/MS cable, 135mm, P=2.0
32000-070301-RS	Dual-port USB cable, 210mm, P=2.0
32200-000049-RS	RS-232 cable, 200mm, P=2.0
32205-003800-300-RS	RS-422/485 cable, 200mm, P=2.0

NANO-CV-D25501/N26001

EPIC SBC with Intel® D2550/N2600, DDR3, VGA/HDMI/Dual LVDS, Dual GbE, USB 3.0, mSATA, SATA 3Gb/s, Audio and RoHS



Features

- EPIC form factor with Intel® D2550/N2600 dual-core processor supporting DDR3/DDR3L (1.35V) memory
- Wide range 9V ~ 28V DC input design
- Flexible VGA, dual LVDS and HDMI with dual-display support
- Supports PC/104-Plus and PCIe Mini card slot compatible with mSATA SSD storage
- Complete I/O with six USB, two SATA 3Gb/s, four COM and audio
- IEI One Key Recovery solution allows you to create rapid OS backup and recovery

Specifications

- ◆ CPU
 - Intel® Atom™ D2550 (1.86GHz, dual-core, 1MB cache)
 - Intel® Atom™ N2600 (1.6GHz, dual-core, 1MB cache)
 - Intel® Atom™ N2800 (1.86GHz, dual-core, 1MB cache)
- ◆ Chipset: Intel® NM10
- ◆ BIOS: UEFI BIOS
- ◆ Memory
 - 1 x 1066 MHz DDR3 SO-DIMM slot support up to 4 GB (for D2550/N2800)
 - 1 x 800 MHz DDR3 SO-DIMM slot support up to 2 GB (N2600)
- ◆ Graphics
 - GMA 3650 at 640 MHz graphics core speed (for N2550 and N2800)
 - GMA 3600 at 400 MHz graphics core speed (for N2600)
- ◆ Display Output
 - Dual display supported
 - VGA (up to 1920x1200@60Hz) (Due to Intel GMA driver limitation, the monitor connected to the VGA connector may not have signal to it or become extended desktop after restarting from the graphics driver installation. To solve this problem, press the Ctrl+Alt+F1 hotkey to switch the primary screen to CRT mode.)
 - HDMI (up to 1920x1200@60Hz)
 - 24-bit single-channel LVDS1 (D2550) (up to 1440x900@60Hz)
 - 18-bit single-channel LVDS1 (N2600/N2800) (up to 1366x768@60Hz)
 - 24-bit dual-channel LVDS2 (up to 1920x1200@60Hz)
 - DP to LVDS converter (up to 1920x1200(D2550) or 1600x1200(N2600/N2800)@60Hz)
- ◆ Ethernet
 - Dual LAN by Realtek RTL8111E controllers
- ◆ Audio: Realtek ALC662 HD Audio codec
- ◆ I/O Interface
 - 1 x RS-422/485
 - 3 x RS-232
 - 2 x USB 3.0
 - 4 x USB 2.0
 - 1 x 6-pin wafer for PS/2 KB/MS
 - 1 x microSD (only for boot up to DOS)
 - 2 x SATA 3Gb/s with 5V power connector (SATA1 and mSATA shares SATA signal)
- ◆ Expansions
 - 1 x Full-size PCIe Mini card slot (supports mSATA, co-lay with SATA1)
 - 1 x PC/104 slot (ISA)
 - 1 x PC/104 slot (PCI)
- ◆ Watchdog Timer
 - Software programmable supports 1~255 sec. system reset
- ◆ Digital I/O: 1 x 8-bit digital I/O (2x5 pin)
- ◆ Fan Connector (smart fan support)
 - 1 x CPU smart fan (1x3 pin)
 - 1 x System smart fan (1x3 pin)
- ◆ Power Supply
 - 9~28V DC input
 - 1 x Internal power connector (2x2 pin) Support AT/ATX mode
 - One internal 4-pin (2x2) power connector with force air for N2600/N2800 processor
- ◆ Power Consumption
 - 12V@2.1A (Intel® D2550 1.86GHz CPU with 1333 MHz 2 GB DDR3 memory)
 - 12V@1.72A (Intel® N2600 1.6GHz CPU with 1333 MHz 2 GB DDR3 memory)
- ◆ Operating Temperature
 - 20°C ~ 60°C with free air, -20°C ~ 70°C with force air for D2550 processor
 - 20°C ~ 70°C with free air, -20°C ~ 75°C with force air for N2600/N2800 processor
- ◆ Storage Temperature: -30°C ~ 80°C
- ◆ Operating Humidity: 5% ~ 95%, non-condensing
- ◆ Weight: GW: 670g/NW: 350g

Packing List

1 x NANO-CV-D25501/N26001 single board computer	
1 x Audio cable	1 x USB cable
1 x Power cable	1 x Mini jumper pack
1 x PS/2 KB/MS Y cable	1 x One Key Recovery CD
1 x RS-232 cable	1 x QIG (Quick Installation Guide)
1 x SATA with 5V output cable	1 x Utility CD

Ordering Information

Part No.	Description
NANO-CV-D25501-R10	EPIC SBC with Intel® Atom™ D2550 1.86GHz, DDR3, VGA/HDMI/dual LVDS, dual GbE, USB 3.0, mSATA, SATA 3Gb/s, Audio, RoHS
NANO-CV-N26001-R10	EPIC SBC with Intel® Atom™ N2600 1.6GHz, DDR3, VGA/HDMI/dual LVDS, dual GbE, USB 3.0, mSATA, SATA 3Gb/s, Audio, RoHS
NANO-CV-N28001-R10**	EPIC SBC with Intel® Atom™ N2800 1.86GHz, DDR3, VGA/HDMI/dual LVDS, dual GbE, USB 3.0, mSATA, SATA 3Gb/s, Audio and RoHS (by project support, MOQ 100pcs / lot)
19FFD124010HB2A7-000001-RS	CPU fan (40mmx40mmx10mm)
32200-000049-RS	RS-232 cable, 200mm, P=2.0
32205-003800-300-RS	RS-422/485 cable, 200mm, P=2.0
34000-000510-RS	30mm higher heatsink