

E500RM8-ME, 5-inch Rugged Industrial PDA

An enterprise-class PDA with powerful mobile computing solution for Hospital Environment

Winmate's E500 Series PDA is an enterprise-class PDA with powerful mobile computing solution. The E500 Series PDA brings a new level of flexibility, functionality and rugged design to pocket-sized mobile devices, providing task workers and managers with the power to streamline business processes, increasing productivity and improving customer service. The E500 packs WLAN, Bluetooth and GPS function - all into a single device. With great multiple wireless communication design, this product will be applicable to mobile worker, business application, and IT requirements.



Highlights

- Cortex A53- Octa Core 1.3GHz
- 5" 1280 x720 Panel with direct optical bonding
- 1D/2D Barcode Reader and NFC reader for data collection
- IP65 waterproof and dustproof
- Optional for Antimicrobial Surface Coating

Order Information

E500RM8-ME	Support 1D/2D Barcode Reader and NFC Optional 3G/4G LTE
------------	--

E500RM8-ME, 5-inch Rugged Industrial PDA

An enterprise-class PDA with powerful mobile computing solution for Hospital Environment

Display Specification

Size	5-inch
Resolution	1280 x 720
Brightness	500 nit
	With Direct optical bonding for sunlight readable
Touch	Multi-touch projected capacitive
Contrast Ratio	800:1
Viewing angle	80/80/80/80
Technology	<ul style="list-style-type: none">• Ambient light sensor, e-compass, gyro, and acceleration sensors• Automatic screen rotation

System Specification

Processor	ARM® Cortex™-A53 Octa-core 1.3 GHz
System Memory	2GB RAM ¹
Storage	16GB Emmc
	Additional storage available with optional Storage Card: SD (up to 2 GB), SDHC (up to 32 GB),
Operating system	Android 5.1

Wireless Communication

WLAN	802.11 a/b/g/n
Bluetooth	Bluetooth 4.1
GPS	GPS / AGPS / GLONASS
WWAN	Optional 3G/4G LTE

Interface

Docking Connector	1 x Docking connector
USB	1 x Micro USB
Power input	1 x Power Jack
Micro SD	1 x Micro SD Card Slot
SIM Card Slot	2 x SIM Card Slot

Keyboard and Input

Touch	10-point multi touch, support Hand / Gloves and Rain Mode On-screen QWERTY keyboard
Button	1 x Volume +/- , 1 x Power Button, 2 x Function Button
LED Indicators	1 x LED indicators

Audio

Microphone	2 x Built-in Mic
Speaker	1 x 1.2 W speaker
Earphone	1 x Earphone

Cameras

Web camera	2MP Camera
Rear camera	8MP Camera with LED auxiliary light (auto focus)

Data Capture

Barcode Reader	1D/2D Barcode Reader
NFC Reader	NFC (Read / Write, peer to peer Mode)

Security Function

Mobile Device Mgmt.	SOTI Mobicontrol compatible ²
---------------------	--

Mechanical and Environment

Dimension (W x L x H)	85.9 x 163.2 x 22.5 mm ³
Weight	315g
Housing	Optional for Antimicrobial Surface Coating
Operating Temperature	-10°C to 50°C (Battery mode)
Humidity	10% to 90% RH, non-condensing
IP Proof	IP65 Certified, waterproof and dustproof
Shock	MIL-STD-810G Method 516.6 Procedure I
Vibration	MIL-STD-810G Method 514.6 Procedure I
Drop	MIL-STD-810G Method 516.6, 5 ft to concrete ⁴

Power Management

Battery	3.7V 3900mAh Li-ion removable battery, optional for Hotswappable function
Battery Operating Time	20Hr ⁵
Adapter	5V 2A Adapter

Accessories

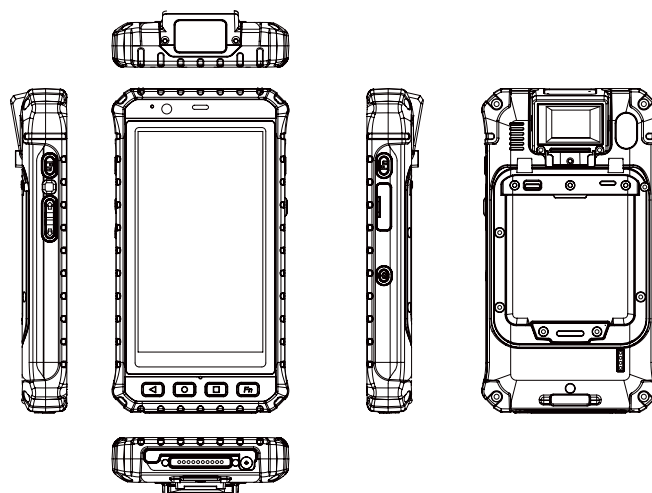
Standard Accessories

Universal Adapter	9226010W05V0
Micro USB Cable	9487049050K0
Micro SD Card	76G004300000
Hand Strap	9B0000000330

Optional Accessories ⁶

Charging Dock 2 bay	98TA05Z00002
Charging Dock 6 bay	98DP05A00001
Battery Charging Dock 2 bay	98K004A0000G
Battery Charging Dock 6 bay	98K000A0004G
Battery	32040370400B

Drawing ⁷



Caution

Do Not Expose the Battery Pack to Excessive Heat, or Extreme Heat (Near Fire, in Direct Sunlight for example)
Do not expose bare skin to this product when handling this unit in extreme hot or cold environments

1. Total usable memory will be less depending upon actual system configuration
2. SOTI are available upon request
3. Length measurements do not include protrusions.
4. The drop test with high-capacity battery must come with hand strap
5. Measured at dimming LCD brightness. Varies depending on the usage conditions, or when an external device is attached.
6. Accessories and Integrated Options may vary depending on your configuration.
7. This is a simplified drawing and some components are not marked in detail.