

Rugged Handheld Device 7"

M700DM4

Model Name : M700DM4

Product Features:

- ARM® Cortex™-A7 Quad Core 1.5Ghz
- 7"WSVGA(1024x600)TFT LCD Display
- IP65 and 4ft drop MIL standard
- Projected Capacitive Multi-Touch Screen
- Built-in G-sensor and Light sensor
- WLAN 802.11 a/b/g/n , Bluetooth 2.1, GPS/ AGPS
- 5.0M Camera in Rear Side(with LED auxiliary light, Auto Focus)
- Android™ 4.2

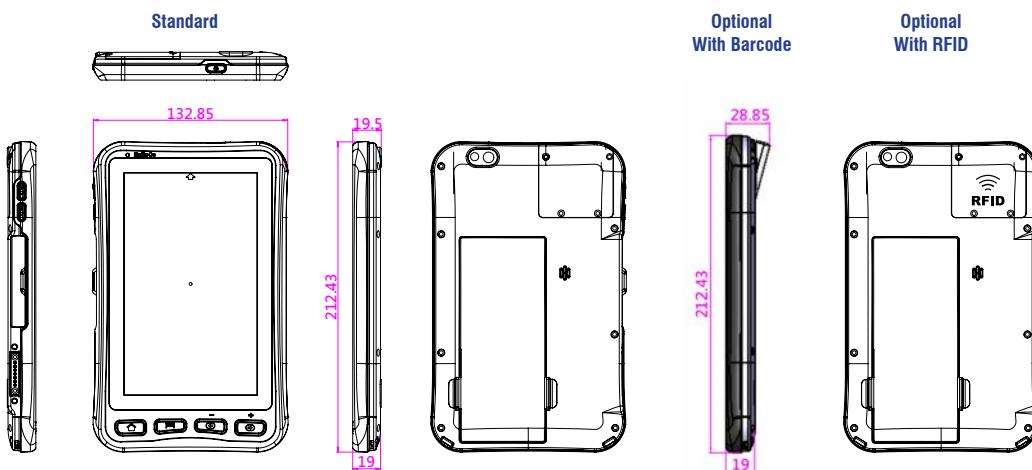
Optional With Barcode



Product Specifications:

System Specification	Processor	ARM® Cortex™-A7 Quad Core 1.5Ghz
	System Memory	1GB Mobile DDR2
	Storage	16GB eMMC
	Operating System	Android™ 4.2
Display Specification	Size	7"
	Resolution	1024 * 600
	Brightness	500nit typ.
	Touch	Projected Capacitive Touch
Wireless Communication	WLAN	Support 802.11 a/b/g/n mode
	Bluetooth	Bluetooth 2.1
	WWAN	Optional 3G(support HSPA/ UMTS / GPRS / WCDMA / GSM) Data only
	GPS	Built-in GPS/ AGPS module Optional Neo-6
Mechanical and Environment	Dimensions (W x L x H)	212.4 x 132.8 x 19 mm
	Weight	550g
	Operating Temperature	-10°C to 50°C / 14°F to 122°F
	Operating Humidity	5% - 95% RH (non condensing)
	IP Proof	IP65
	Shock	MIL-STD-810F Method 516.5
	Vibration	MIL-STD-810F Method 514.5
	Drop	MIL-STD-810F Method 516.5, 4 ft, Free to concrete
Certifications	CE, FCC, CCC	
I/O Connectors	External I/O	1 x Micro USB OTG 1 x Headset jack (Mic+Earphone) 1 x 2.5Ø 5V DC Power Input 1 x SIM Slot 1 x Micro SD Card Slot
	Internal Audio Device	1 x 1.2W Speaker
	Optional I/O(Either one)	1 x Barcode Reader: 2D Scan Module Support QR Code / Data Matrix /PDF417 / Maxicode / Aztec 1 x HF RFID Reader: Support ANSI/ISO14443A & 15693 Card Type(13.56 MHz Frequency), detect range 1~3 cm
Power Management	Power input	5V DC in
	Power consumption	7W (under full loading)
	Battery	3.7V 5300mAh Li-Poly user replaceable battery
	Battery Operating Time	6~8Hrs Battery Life
Adapter	15W Adapter	
Field Service Features	Camera	5.0M pixel Camera with LED auxiliary light(Rear Side , with Auto Focus)

Dimensions :



Order Information:

Model Name	Configuration
M700DM4	Standard
M700DM4-B2	with 2D Barcode
M700DM4-RF	with HF RFID

Rev.	Reasons	Revised Date
1.0	First Release	Dec.19.13
1.1	Spec change	Dec.25.13