

# Full IP67 Chassis LCD

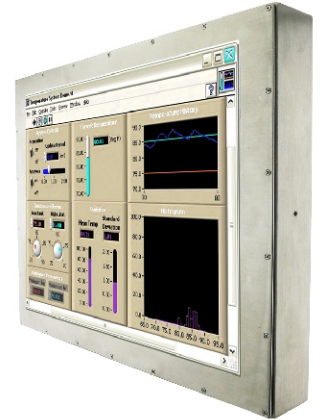
## 10.4" (Stainless Design)



### Specifications

|                                |  |
|--------------------------------|--|
| Model Name                     | R10L100-67T2   |
| Viewable Size Image            | 10.4"  |
| Active Display Area(mm)        | 210.432 (H) x 157.824 (V)  |
| Pixel Pitch(mm)                | 0.2055 (H) x 0.2055 (V)  |
| Number of Pixels               | 1024x768   |
| Contrast Ratio                 | 1200:1(typ.)   |
| Display Color                  | 16.2M  |
| Brightness(cd/m <sup>2</sup> ) | 350(typ.)  |
| Viewing Angle(CR>=10)          | -88~88(H); -88~88(V)   |
| Synchronization Range          |  |
| Horizontal/Vertical            | 31.5~60KHz / 60~75Hz   |
| Recommended Resolution         | 1024x768@60Hz, 75Hz  |
| Signal Connector               | D-Sub 15pin  |
| I/O                            | 3 pin Power cable(IP67 connector);<br>10 pin VGA cable (IP67 connector);<br>Optional 10 pin RS232 or USB cable(IP67 connector) |
| Power Source                   | 12V DC in, with External AC to DO Adapter (100~240V AC)  |
| Power Consumption              | 15W typical, normal operation  |
| Power Management               | VESA DPMS Compliant  |
| Plug & Play                    | VESA DDC 1/2B  |
| Optional Touch Screen          | Resistive  |

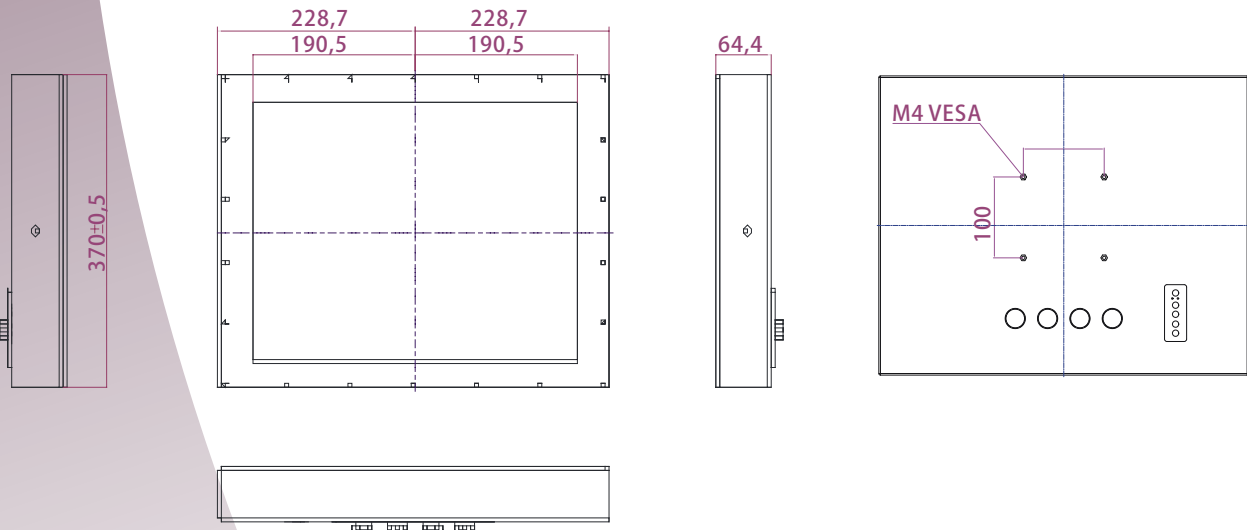
\*Due to Panel material's deviation, different panel supplier will set different specific variance range to optical characteristics. The factors of time used, Lamp current, Ambient temperature will influence the optical measurements.



Standard : brushed stainless

Optional : black,high polish varnished coating

### Mechanical Drawing



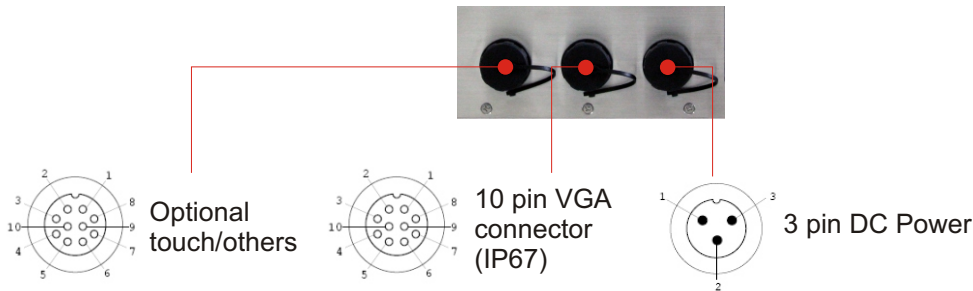
\* Note: this is a simplified drawing and some components are not marked in detail. Please contact our sales representative if you need further product information.

| Rev. | Reasons     | Revised Date |
|------|-------------|--------------|
| 1.0  | New added   | Jun-12-15    |
| 1.1  | Spec change | Jun-15-15    |

# Full IP67 Chassis LCD

## IO Layout

### Back Side (I/O)

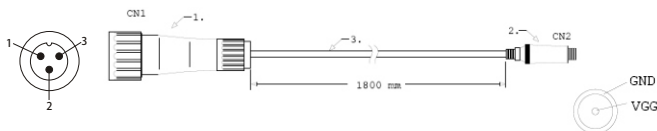


## Cable List

| LCD             | IP67 connector | PC side IO type |
|-----------------|----------------|-----------------|
| DC power        | 3pin           | Female(2.5 fai) |
| USB(optional)   | 10pin          | Male(type A)    |
| RS232(optional) | 10pin          | Female(D-sub 9) |
| VGA             | 10pin          | Male(D-sub 15)  |

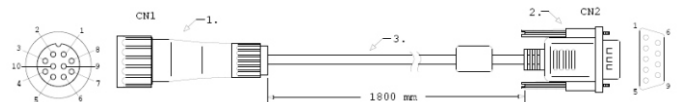
## IP67 Cable/Pin Define

### DC Power



| Pin No. | Symbols | Color | Pin No. | Symbols | Color |
|---------|---------|-------|---------|---------|-------|
| CN1-1   | VCC     | Red   | CN2     | VCC     | Red   |
| CN1-3   | GND     | Black | CN1     | GND     | Black |
| CN1-2   | Shield  |       | Shield  |         |       |

### RS232



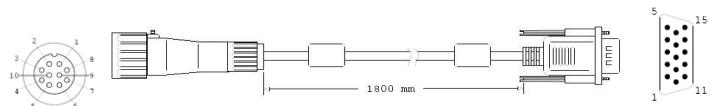
| Pin No. | Symbols  | Color  | Pin No. | Symbols  | Color  |
|---------|----------|--------|---------|----------|--------|
| CN1-1   | DCD-CON2 | Green  | CN2-1   | DCD-CON2 | Green  |
| CN1-2   | DSR-CON2 | Brown  | CN1-6   | DSR-CON2 | Brown  |
| CN1-3   | RXD-CON2 | Red    | CN1-2   | RXD-CON2 | Red    |
| CN1-4   | RTS-CON2 | Orange | CN1-7   | RTS-CON2 | Orange |
| CN1-5   | TXD-CON2 | Blue   | CN1-3   | TXD-CON2 | Blue   |
| CN1-6   | CTS-CON2 | White  | CN1-8   | CTS-CON2 | White  |
| CN1-7   | DTR-CON2 | Purple | CN1-4   | DTR-CON2 | Purple |
| CN1-8   | RI-CON2  | Yellow | CN1-9   | RI-CON2  | Yellow |
| CN1-9   | GND-CON2 | Black  | CN1-5   | GND-CON2 | Black  |
| CN1-10  | NC       |        | CN1-10  | NC       |        |

### USB



| Pin No. | Symbols | Color | Pin No. | Symbols | Color |
|---------|---------|-------|---------|---------|-------|
| CN1-1   | VCC     | Red   | CN2-1   | VCC     | Red   |
| CN1-2   | D-      | White | CN2-2   | D-      | White |
| CN1-3   | D+      | Green | CN2-3   | D+      | Green |
| CN1-4   | GND     | Black | CN2-4   | GND     | Black |
| CN1-5   | Shield  |       |         |         |       |

### VGA



| CN1     |         |        |   | CN2     |         |        |
|---------|---------|--------|---|---------|---------|--------|
| Pin No. | Symbols | Color  |   | Pin No. | Symbols | Color  |
| 1       | R       | Red    | ↔ | 1       | R       | Red    |
| 2       | R-GND   | Black  | ↔ | 6       | R-GND   | Black  |
| 3       | G       | Green  | ↔ | 2       | G       | Green  |
| 4       | G-GND   | Black  | ↔ | 7       | G-GND   | Black  |
| 5       | B       | Blue   | ↔ | 3       | B       | Blue   |
| 6       | B-GND   | Black  | ↔ | 8       | B-GND   | Black  |
| 7       | SDA     | Yellow | ↔ | 12      | SDA     | Yellow |
| 8       | HS      | Orange | ↔ | 13      | HS      | Orange |
| 9       | VS      | White  | ↔ | 14      | VS      | White  |
| 10      | SCL     | Brown  | ↔ | 15      | SCL     | Brown  |

| Rev. | Reasons     | Revised Date |
|------|-------------|--------------|
| 1.0  | New added   | Jun-12-15    |
| 1.1  | Spec change | Jun-15-15    |