

R19ID3S-65A1-1 Full IP65 / NEMA4 Panel PC (Intel® ATOM Cedar Trail)

Anti-Moisture

Mechanical Design

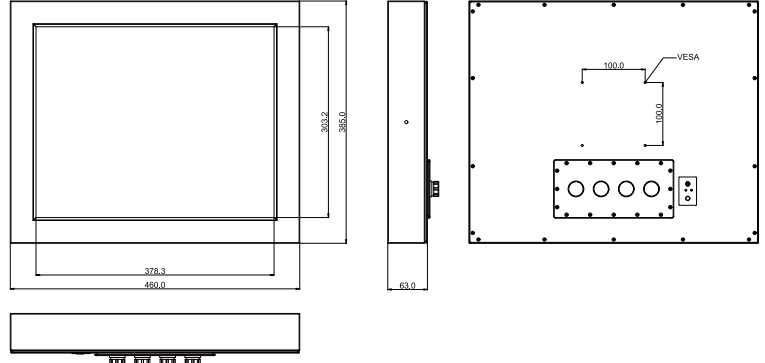
With optical bonding to prevent moisture and reduce the reflection problem



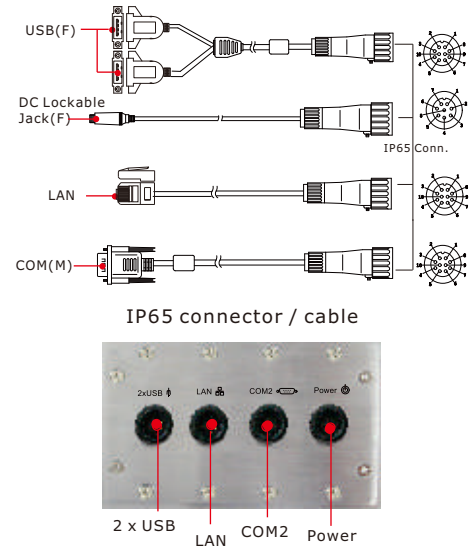
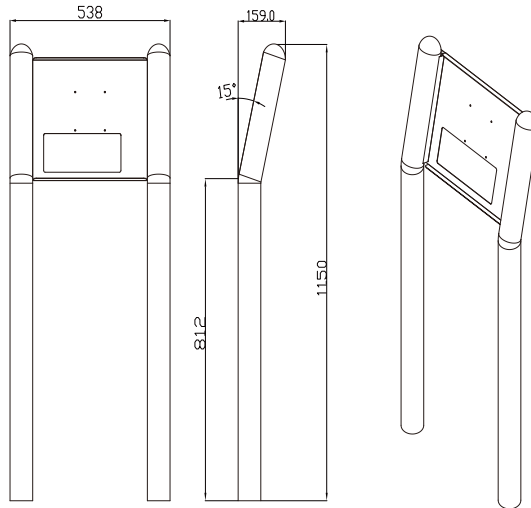
Standard:
brushed stainless



Optional:
black, high polish,
varnished coating



Mounting Stand
(optional)



* Note: this is a simplified drawing and some components are not marked in detail. Please contact our sales representative if you need further product information.

System Specifications

System:

- CPU : Intel® Atom D2550 1.86GHz
- Memory Slot : 1 x SO-DIMM, Default 2GB, Max 4GB DDR3 800/1066
- System Chipset : Intel® NM10 Chipset
- Storage : mSATA SSD 32GB (Default)
- LAN : Broadcom Bcm57780 Gigabit Ethernet
- Audio codec : Built in ALC886 codec

Power Specifications :

- Size / Type : 19"
- Resolutions : 1280x1024
- Brightness : 400cd/m² (typ.)
- Contrast Ratio : 1000 : 1(typ.)
- Viewing Angles : -85~85(H); -80~80(V)
- Max Colors : 16.7M

Input / Output :

- Serial Ports : 1x RS-232
- USB Ports : 1x USB Support 2x USB Type-A Receptacle
- Ethernet : 1x RJ45-10/100/1000
- Power : 1x 12V DC-in

Environment Considerations :

- Operating Temperature : 0 deg.C to 45deg.C
- Operating Humidity : 30% to 90% (non condensing)

Power Specifications :

- Power Input : 12Vdc IN (Lockable Power Jack)
- Power Consumption : 65W (typ.)(Max.backlight & high CPU load)

Order Options :

Mechanical : IP65(8mm Bezel)	Storage : 2.5" SATA HDD / 2.5" SATA SSD
Touch : 5 Wires Resistive or AR Glass either one	RAM : SODIMM DDR3
(A customized housing is needed if you have demands of SAW/IR/IT/SC touch)	OS : Windows XPPE(Optional) Windows XPPE (Optional) Windows 7 Embedded Linux(Optional)

Accessories :

- External Power Supply 80W w/power cord

