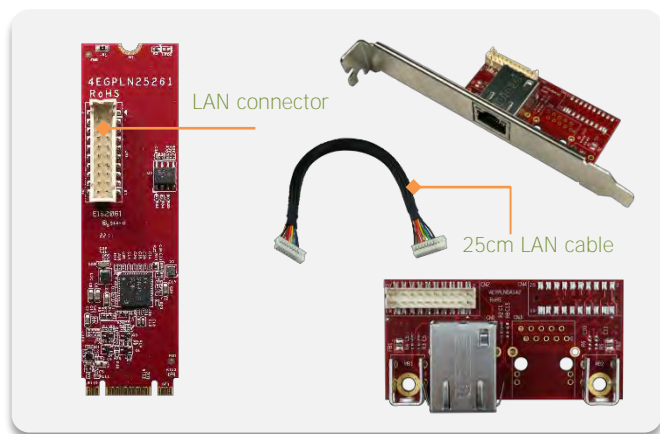


EGPL-21S1

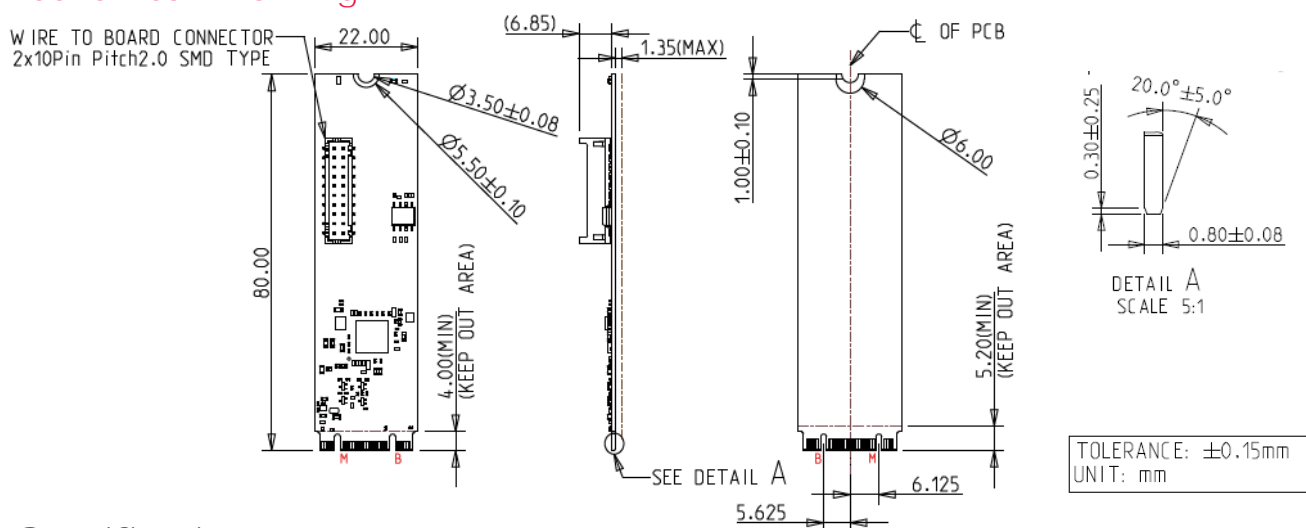
M.2 2280 to single isolated 2.5GbE LAN module



Features

- Single isolated 2.5GbE LAN port
- Complies with EN61000-4-5 2kV Surge protection
- Complies with IEC 60950-1:2005 + A1: 2009 + A2:2013 2kV HiPOT protection
- Complies with EN61000-4-2 (ESD) Air-15kV, Contact-8kV
- Flexible daughter board with cable to fit into different system
- Optional terminal mounting hole or bracket for daughter board
- Optional Industrial Temperature (-40°C to +85°C) support
- 30μ " golden finger, 3-year warranty

Mechanical Drawing



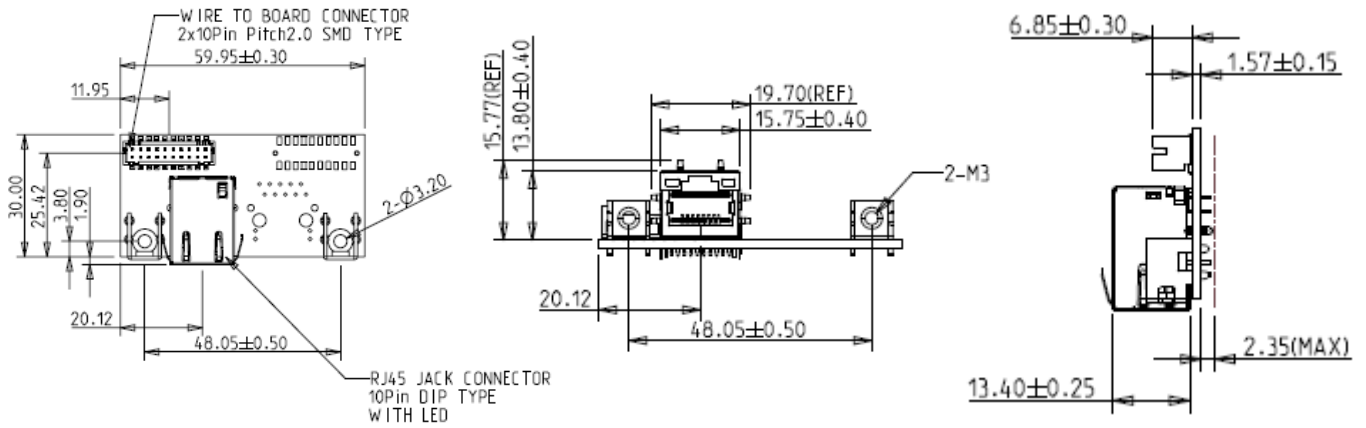
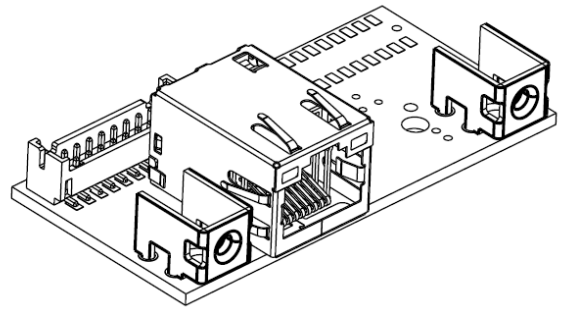
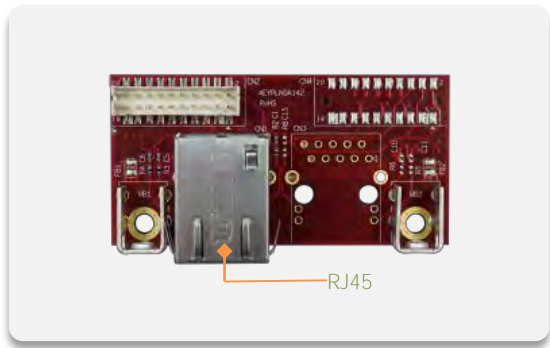
Specifications

Form-Factor	M.2 2280 B-M
Input I/F	PCI Express 2.1 x 2
Output I/F	Single 2.5GbE LAN
Output Connector	RJ45 x 1
Power Consumption	MAX: 1.369W (3.3V, 415mA)
Dimension (WxLxH)	Main Board: 22 x 80 x 9 mm Daughter Board: 59.5 x 30 x 17.32 mm
Temperature	Operation: STD: 0°C ~ +70°C. W/T: -40°C ~ +85°C Storage: -55°C ~ +95°C
Environment	Vibration: 5G @7~2000Hz, Shock: 50G @ 0.5ms
Notes	Please download driver from Intel official website. Windows: 10 (64bit), Linux (igc): kernel 5.x version Support Intel vPro
Limitations	*Linux upstream kernel release – 5.16.18

Order information

- EGPL-21S1-C1 (Mounting hole, Standard Temp.)
- EGPL-21S1-W1 (Mounting hole, Wide Temp.)
- EGPL-21S1-C2 (Bracket, Standard Temp.)
- EGPL-21S1-W2 (Bracket, Wide Temp.)
- M.2 2280 to single 2.5GbE isolated LAN module

EGPL-21S1-C1/W1 Daughter Board and Mechanical Drawing



EGPL-21S1-C2/W2 Daughter Board and Mechanical Drawing

