

# ESPL-G4P3

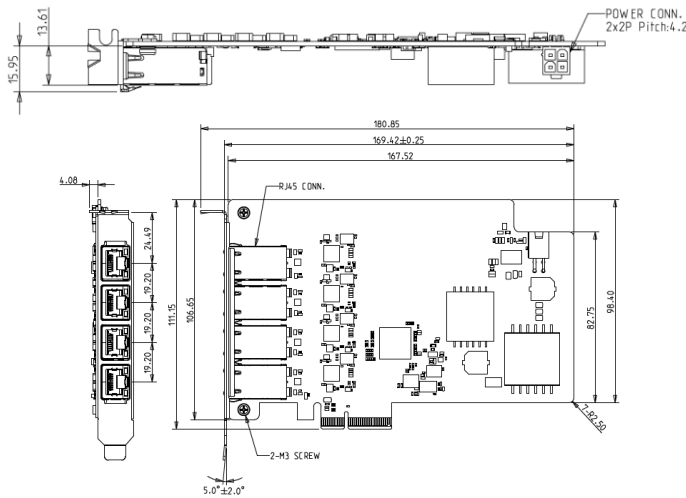
## PCIe to four PoE/PoE+ Module



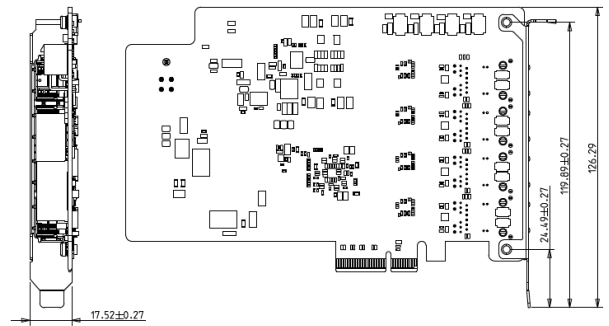
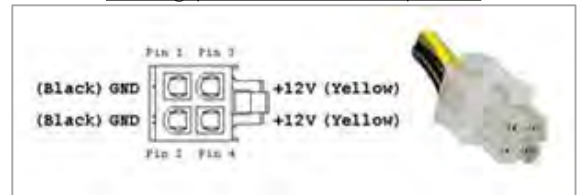
### Features

- Supports four GbE LAN ports
- Four independent PSE channels
- Complies with IEEE 802.3af, up to 15.4W at 48V per PoE port
- Complies with IEEE 802.3at, up to 25.5W at 52V per PoE port
- Supports 12V~24V power input via 4pin PCIE-ATX
- Supplies total power up to 75W
- Complies with EN61000-4-5 2kV Surge protection
- Optional Industrial Temperature (-40°C to +85°C) support
- 30μ" golden finger, 3-year warranty

### Mechanical Drawing



### Mating power connector pinout



### Specifications

Form-Factor	Standard PCIe
Input I/F	PCI Express 2.1 x 4
Output I/F	PoE/PoE+ x 4
Output Connector	RJ45 x 4
Power Consumption	LAN: MAX: 2.1W (3.3V, 636mA) PoE: MAX: 86W (12V, 7.18A)
Dimension (WxLxH)	169.55 x 111.15 x 19.6 mm
Temperature	Operation: STD: 0°C ~ +70°C. W/T: -40°C ~ +85°C Storage: -55°C ~ +95°C
Environment	Vibration: 5G @7~2000Hz, Shock: 50G @ 0.5ms
Notes	Please download driver from Intel official website. Windows: 10 (64bit), Linux (igc): kernel 5.x version
Limitations	*Linux kernel rebuild is needed (modify igc driver) if version < 5.15 *Not recommend used in VMware ESXi due to High Latency *Not support Intel vPro

### Order Information

ESPL-G4P3-C1 (Standard Temp.)

ESPL-G4P3-W1 (Wide Temp.)

PCIe to four PoE/PoE+ module