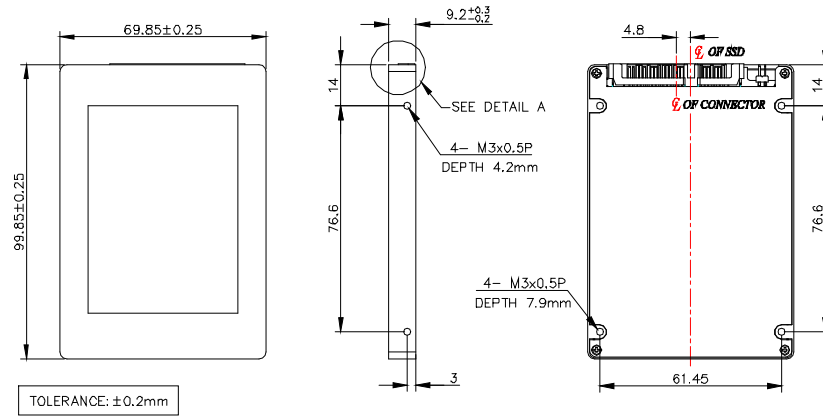


2.5" SATA SSD

3SE3 series

Drawing



Specifications

Interface	SATA III
Flash Type	SLC
Capacity	8GB~128GB
Max. Channels	4
Sequential R/W (MB/sec, max.)	360 / 210
Max. Power Consumption	0.8W (5V x 160 mA)
Thermal Sensor	ST- Optional/ WT- Default
External DRAM Buffer	-
H/W Write Protect	-
Pin7 Power	-
ATA Security	√
S.M.A.R.T.	√
Dimension (WxLxH)	69.85 X 99.85 X 9.20 mm
Environment	Vibration: 20G @7~2000Hz Shock: 1500G @ 0.5ms Storage Temperature: -55°C ~ +95°C MTBF: 3 million hours

Ordering Information

Operation Temp.	8GB	16GB	32GB	64GB	128GB
Standard Grade (0°C ~ +70°C)	DES25-08GD08SCAQB	DES25-16GD08SCAQB	DES25-32GD08SCAQB	DES25-64GD08SCAQB	DES25-A28D08SCAQB
Industrial Grade (-40°C ~ +85°C)	DES25-08GD08SWAQB	DES25-16GD08SWAQB	DES25-32GD08SWAQB	DES25-64GD08SWAQB	DES25-A28D08SWAQB