

## M.2 (P30) 4TE2

### HIGHLIGHT FEATURES

- PCIe Gen 4 x4, NVMe 1.4
- Excellent data transfer speed
- Support iPower Guard & iData Guard
- 256 bit AES hardware based encryption
- Support TCG OPAL function (optional)

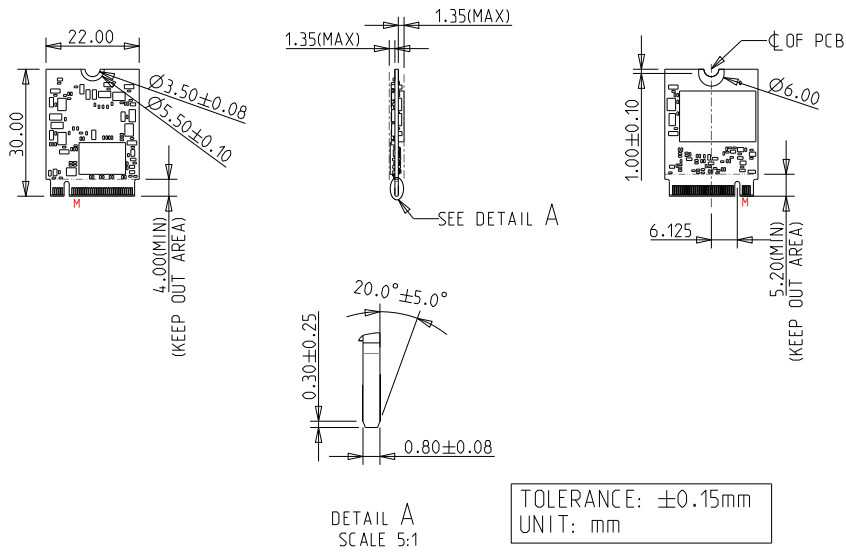


### SPECIFICATIONS

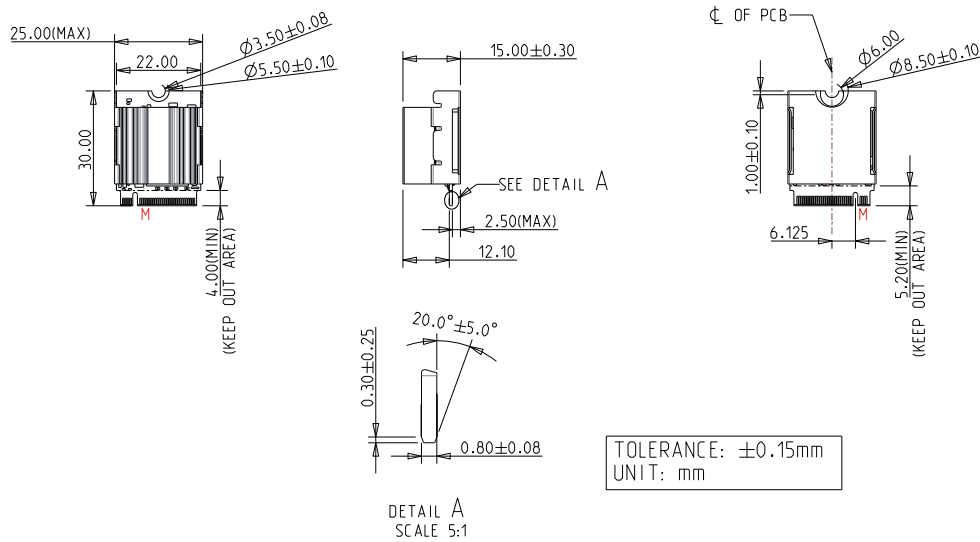
<b>Model Name</b>	M.2 (P30) 4TE2
<b>Flash Type</b>	3D TLC
<b>Interface</b>	PCIe Gen 4 x4
<b>Form Factor</b>	M.2
<b>Capacity</b>	128GB ~ 1TB
<b>Sequential R / W (MB/sec, max.)</b>	1,700 / 1,500
<b>P/E Cycle</b>	3,000
<b>TBW (Max.)</b>	852
<b>Storage Temperature</b>	-40°C ~ 85°C
<b>Max. Power Consumption</b>	3.1W
<b>Max. Channels</b>	2
<b>External DRAM Buffer</b>	N
<b>H/W Write Protect</b>	Optional
<b>S.M.A.R.T.</b>	Y
<b>AES</b>	Optional
<b>TCG Opal</b>	Optional
<b>Dimension (W x L x H/mm)</b>	22.0 x 30.0 x 3.5 25.0 x 30.0 x 15.0 (WT with heatsink)
<b>Vibration</b>	20G@[7 ~ 2000Hz]
<b>Shock</b>	1500G@0.5ms
<b>MTBF</b>	>3 million hours
<b>Warranty</b>	3 Years

## DIAGRAM

## ST



## WT



## ORDER INFO.

	Standard Grade (0°C ~ 70°C)	Industrial Grade (-40°C ~ 85°C)
128GB	DEM23-A28DF1KCADF	DEM23-A28DF1KWADFH
256GB	DEM23-B56DF1KCADF	DEM23-B56DF1KWADFH
512GB	DEM23-C12DF1KCADF	DEM23-C12DF1KWADFH
1TB	DEM23-01TDF1KCADF	-

For TCG OPAL function, the PN Code 10th~12th will be DF2.

HQ (Taiwan) T +886-2-7703-3000 / E sales@innodisk.com

CN T +86-755-2167-3689 / E sales\_cn@innodisk.com

US T +1-510-770-9421 / E usasales@innodisk.com

EU T +31-40-3045-400 / E eusales@innodisk.com

JP T +81-3-6667-0161 / E jp\_sales@innodisk.com

innodisk