

Datasheet

M.2 (P80) 4TE2 series

- PCIe Gen 4 x4, NVMe 1.4
- Excellent data transfer speed
- Heat-spreading design
- Support iPower Guard & iData Guard
- Thermal Throttling Management
- iCell technology for power loss protection
- 256 bit AES hardware based encryption
- Support TCG OPAL function (optional)
-



Introduction

Innodisk M.2 (P80) 4TE2 is a NVM Express DRAM-less SSD designed with PCIe interface and industrial 3D TLC NAND Flash. M.2 (P80) 4TE2 supports PCIe Gen 4 x4 and it is compliant with NVMe 1.4 providing excellent top and sustained performance. With sophisticated error detection and correction (ECC) functions, the module can provide full End-to-end Data Path Protection that secures the data transmission between the host system and NAND Flash.

M.2 (P80) 4TE2 series

Contact us for more information about the M.2 (P80) 4TE2.

Innodisk is a service-driven provider of industrial embedded flash and DRAM storage products and technologies, with a focus on the cloud computing, industrial/embedded, and aerospace and defense industries.

Headquarters (Taiwan)

5F., No. 237, Sec. 1, Datong Rd., Xizhi Dist., New Taipei City 221, Taiwan
Tel: +886-2-7703-3000
Email: sales@innodisk.com

Branch Offices:

USA
usasales@innodisk.com
+1-510-770-9421
Europe
eusales@innodisk.com
+31-40-3045-400
Japan
jpsales@innodisk.com
+81-3-6667-0161
China
sales_cn@innodisk.com
+86-755-21673689
www.innodisk.com

© 2024 Innodisk Corporation.
All right reserved. Specifications are subject to change without prior notice.

202408

Diagram (ST)

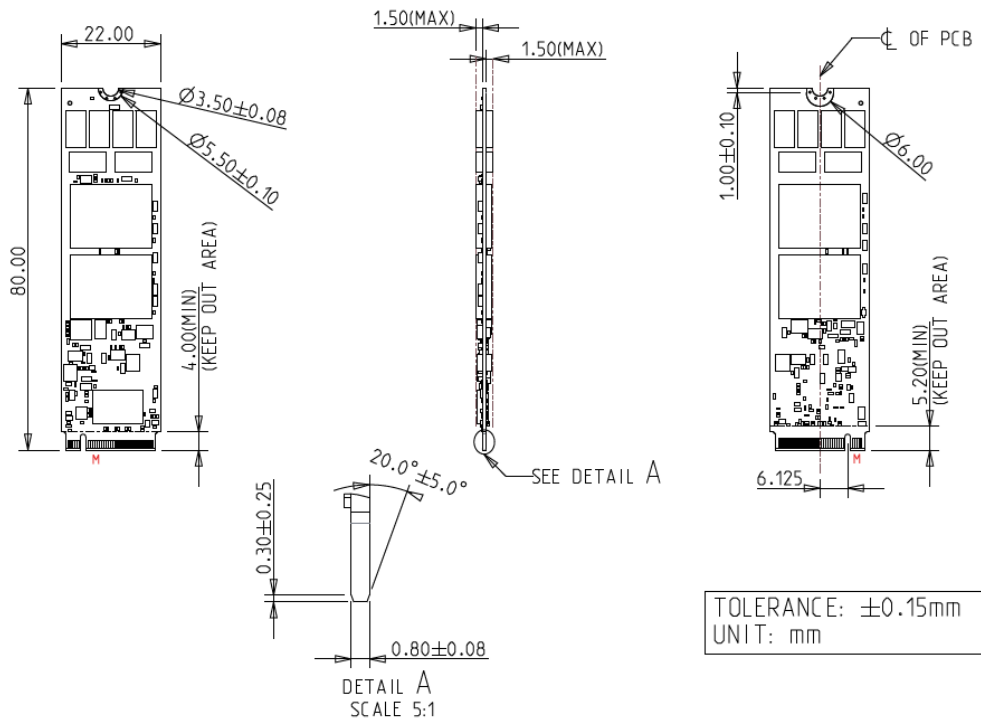
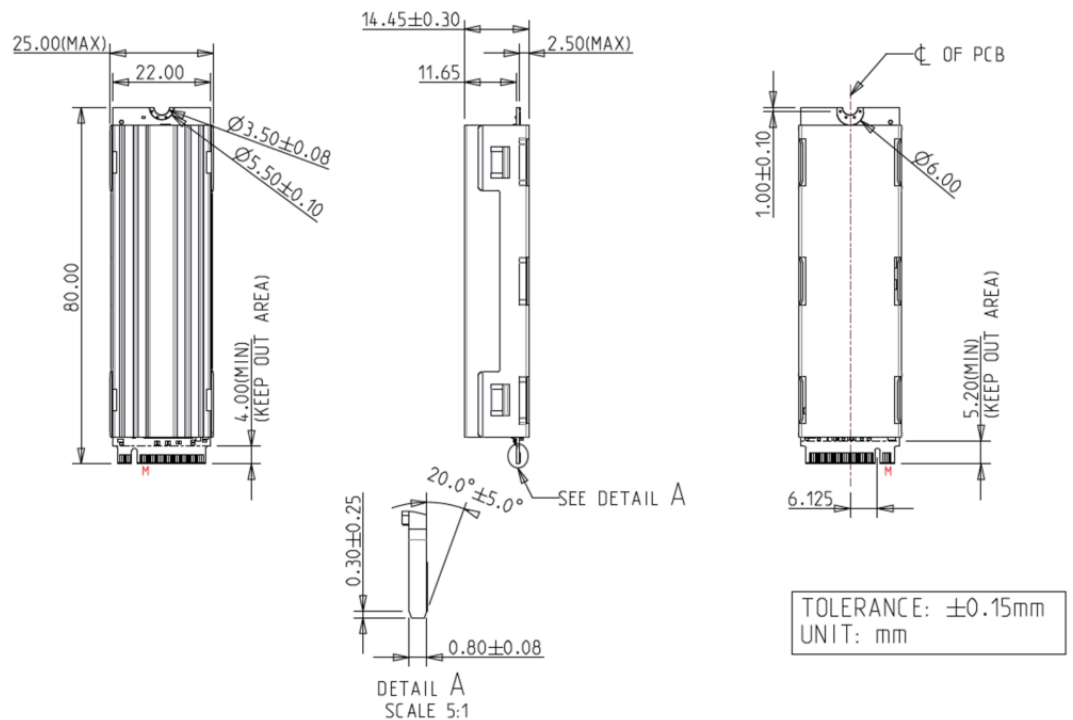


Diagram (WT)



Specifications

Contact us for more information about the M.2 (P80) 4TE2.

Innodisk is a service-driven provider of industrial embedded flash and DRAM storage products and technologies, with a focus on the cloud computing, industrial/embedded, and aerospace and defense industries.

Headquarters (Taiwan)

5F., No. 237, Sec. 1, Datong Rd., Xizhi Dist., New Taipei City 221, Taiwan
Tel: +886-2-7703-3000
Email: sales@innodisk.com

Branch Offices:

USA
usasales@innodisk.com
+1-510-770-9421
Europe
eusales@innodisk.com
+31-40-3045-400
Japan
jpsales@innodisk.com
+81-3-6667-0161
China
sales_cn@innodisk.com
+86-755-21673689
www.innodisk.com

© 2024 Innodisk Corporation.
All right reserved. Specifications are subject to change without prior notice.

202408

Interface	PCIe Gen 4 x4
Flash Type	3D TLC
P/E cycle	3,000
Capacity	128GB~2TB
Max. Channels	4
Sequential R/W (MB/sec, max.)	3,550/3,300
Max. Power Consumption	5.4W
Thermal Sensor	√
External DRAM buffer	N/A
H/W Write Protect	N/A
AES	√
TCG OPAL	√ (optional)
S.M.A.R.T.	√
PLP (iCell)	√ (Optional)
Dimension (WxLxH)	22.0 x 80.0 x 3.8 mm (ST) 25.0 x 80.0 x 14.45 mm (WT with heatsink)
Environment	Vibration: 20G @7~2000Hz Shock: 1500G @ 0.5ms Storage Temperature: -40°C ~ +85°C MTBF: 3 million hours

Ordering Information

Operation Temp.	128GB	256GB	512GB	1TB	2TB
Standard Grade (0°C ~ +70°C)	DEM28-A28DF1KCADF(P)	DEM28-B56DF1KCAQF(P)	DEM28-C12DF1KCAQF(P)	DEM28-01TDF1KCAQF(P)	DEM28-02TDF1KCAQF(P)
Industrial Grade (-40°C ~ +85°C)	DEM28-A28DF1KWADF(P)H	DEM28-B56DF1KWAQF(P)H	DEM28-C12DF1KWAQF(P)H	DEM28-01TDF1KWAQF(P)H	DEM28-02TDF1KWAQF(P)H

(P): PLP (iCell) (optional)

For TCG OPAL function, the PN Code 10th~12th will be DF2.

