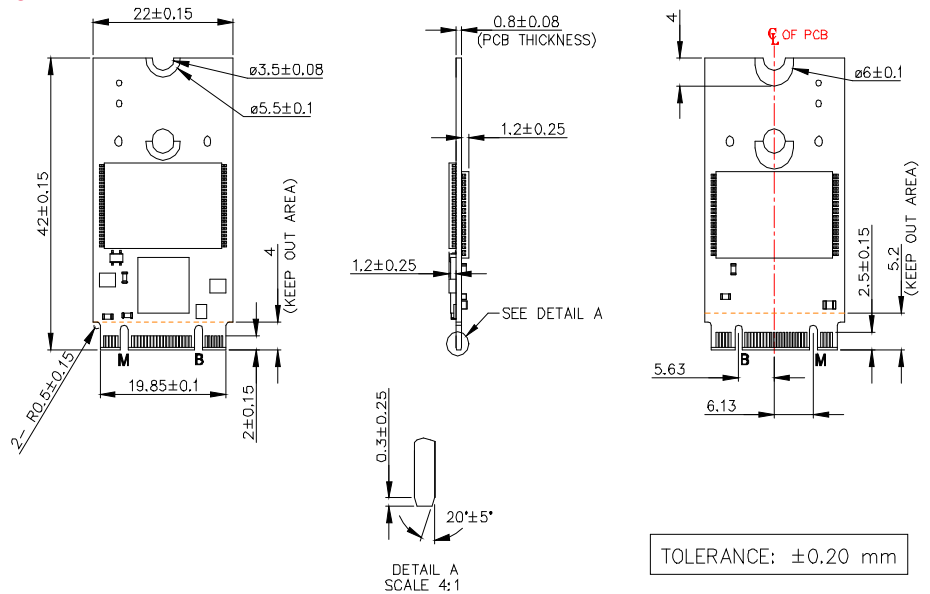


M.2 (S42) 3ME4 series

Diagram



Specifications

Interface	SATA III
Flash Type	MLC
P/E cycle	3,000
Capacity	8GB~256GB
Max. Channels	2
Sequential R/W (MB/sec, max.)	530/210
Max. Power Consumption	1.4W (3.3V x 422 mA)
Thermal Sensor	√
External DRAM buffer	-
H/W Write Protect	Optional
ATA Security	√
S.M.A.R.T.	√
Dimension (WxLxH)	22.0 X 42.0 X 3.2 mm
Environment	Vibration: 20G @7~2000Hz Shock: 1500G @ 0.5ms Storage Temperature: -55°C ~ +95°C MTBF: 3 million hours

Ordering Information

Operation Temp.	8GB	16GB	32GB	64GB	128GB	256GB
Standard Grade (0°C ~ +70°C)	DEM24-08GM41BC1SC	DEM24-16GM41BC1SC DEM24-16GM41BC1DC	DEM24-32GM41BC1DC	DEM24-64GM41BC1DC	DEM24-A28M41BC1DC	DEM24-B56M41BCADC
Industrial Grade (-40°C ~ +85°C)	DEM24-08GM41BW1SC	DEM24-16GM41BW1SC DEM24-16GM41BW1DC	DEM24-32GM41BW1DC	DEM24-64GM41BW1DC	DEM24-A28M41BW1DC	DEM24-B56M41BWADC