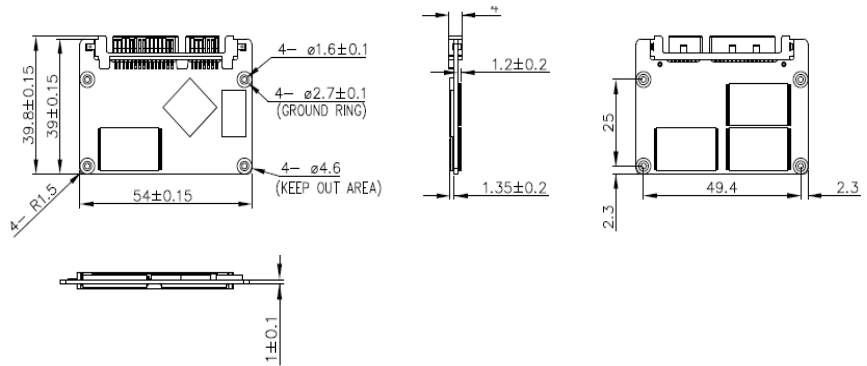


SATA Slim

3MV2-P series

Drawing



Interface	SATA III
Flash Type	MLC
Capacity	8GB~512GB
Max. Channels	4
Sequential R/W (MB/sec, max.)*	520/460 (steady performance refer to TPS)
4KB Random (QD32) R/W (IOPS)**	75,000/79,000
Max. Power Consumption	2.6W (5V x 520 mA)
Thermal Sensor	√
External DRAM Buffer	√
H/W Write Protect	Optional
Pin7 Power	-
ATA Security	√
S.M.A.R.T.	√
DEVSLP Mode	√ (min. power consumption 3mW)
Slumber Mode	√ (min. power consumption 30mW)
Dimension (WxLxH)	54.0 X 39.0 X 4.0 mm
Environment	Vibration: 20G @7~2000Hz Shock: 1500G @ 0.5ms Storage Temperature: -55°C ~ +95°C MTBF: 3 million hours
* Sequential performance based on CystalDiskMark 5.05 with file size 1000MB	
** Random performance based on Iometer with Queue Depth 32	

Ordering Information

Operation Temp.	8GB	16GB	32GB	64GB	128GB	256GB	512GB
Standard Grade (0°C ~+70°C)	DVSLM-08GD81BC1SC	DVSLM-16GD81BC1SC DVSLM-16GD81BC1DC	DVSLM-32GD81BC1DC DVSLM-32GD81BC1QC	DVSLM-64GD81BC1QC	DVSLM-A28D81BC1QC	DVSLM-B56D81BC1QC	DVSLM-C12D81BCAQC
Industrial Grade (-40°C ~+85°C)	DVSLM-08GD81BW1SC	DVSLM-16GD81BW1SC DVSLM-16GD81BW1DC	DVSLM-32GD81BW1DC DVSLM-32GD81BW1QC	DVSLM-64GD81BW1QC	DVSLM-A28D81BW1QC	DVSLM-B56D81BW1QC	DVSLM-C12D81BWAQC