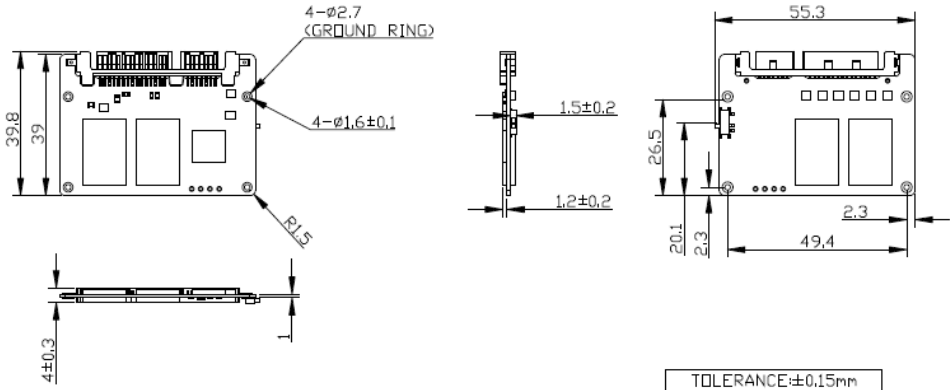


# SATA Slim

## 3SE4 series

### Drawing



### Specifications

Interface	SATA III
Flash Type	SLC
Capacity	8GB~64GB
Max. Channels	2
Sequential R/W (MB/sec, max.)	520/ 360
Max. Power Consumption	1.1 W (5V x 220 mA )
Thermal Sensor	√
External DRAM Buffer	-
H/W Write Protect	-
Pin7 Power	-
ATA Security	√
S.M.A.R.T.	√
Dimension (WxLxH)	54.0 X 39.0 X 4.0 mm
Environment	Vibration: 20G @7~2000Hz Shock: 1500G @ 0.5ms Storage Temperature: -55°C ~ +95°C MTBF: 3 million hours

### Ordering Information

Operation Temp.	8GB	16GB	32GB	64GB
Standard Grade (0°C ~ +70°C)	DESLM-08GM41SCADB	DESLM-16GM41SCADB	DESLM-32GM41SCADB	DESLM-64GM41SCADB
Industrial Grade (-40°C ~ 85°C)	DESLM-08GM41SWADB	DESLM-16GM41SWADB	DESLM-32GM41SWADB	DESLM-64GM41SWADB