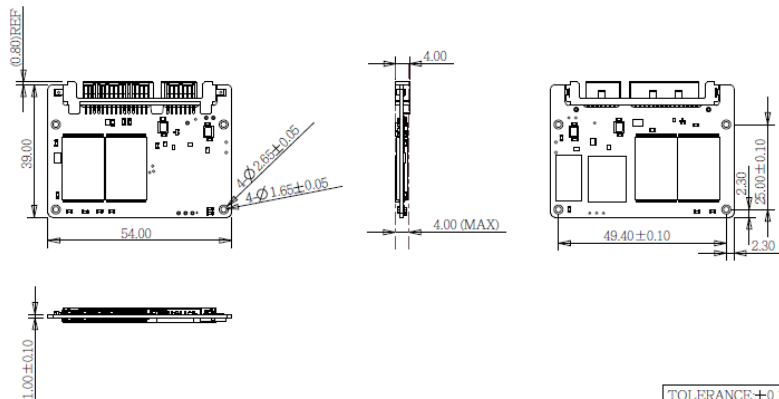


SATA Slim 3TG6-P series

Drawing



TOLERANCE ± 0.15
UNIT:mm

Specifications

Interface	SATA III
Flash Type	3D TLC
Capacity	128GB~1TB
Max. Channels	4
Sequential R/W (MB/sec, max.)*	560/520
4KB Random (QD32) R/W (IOPS)*	75000/72000
Max. Power Consumption	TBD
Thermal Sensor	✓
External DRAM Buffer	✓
AES encryption	✓
ATA Security	✓
S.M.A.R.T.	✓
DEVSLP Mode	✓ (min. power consumption 3mW)
Dimension (WxLxH)	54.0 X 39.0 X 4.0 mm
Environment	Vibration: 20G @7~2000Hz Shock: 1500G @ 0.5ms Storage Temperature: -55°C ~ +95°C MTBF: 3 million hours

* Sequential performance based on CrystalDiskMark 5.1.2 with file size 1000MB

Ordering Information

Operation Temp.	128GB	256GB	512GB	1TB
Standard Grade (0°C ~ +70°C)	DGSLM-A28M71EC1QF	DGSLM-B56M71EC1QF	DGSLM-C12M71EC1QF	DGSLM-01TM71ECAQF
Industrial Grade (-40°C ~ +85°C)	DGSLM-A28M71EW1QF	DGSLM-B56M71EW1QF	DGSLM-C12M71EW1QF	DGSLM-01TM71EWAQF