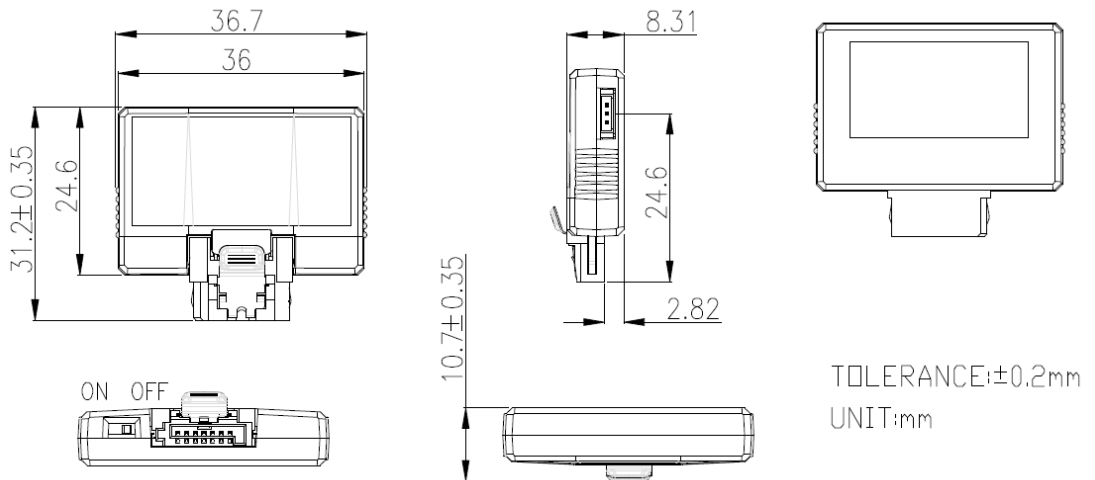


SATADOM-ML

3MS4 series

Diagram



Specifications

Interface	SATA III
Flash Type	MLC
Capacity	32GB~256GB
Max. Channels	2
Sequential R/W (MB/sec, max.)	530/210
Max. Power Consumption	0.815W (5V x 163mA)
Thermal Sensor	√
Extended DRAM buffer	-
H/W Write Protect	√
ATA Security	√
S.M.A.R.T.	√
Dimension (WxLxH)	36.7 x 31.2 x 10.7 mm
Environment	Vibration: 20G @7~2000Hz Shock: 1500G @ 0.5ms Storage Temperature: -55°C ~ +95°C MTBF: 3 million hours

Ordering Information

	32GB	64GB	128GB	256GB
Standard Grade (0°C ~ +70°C)	DSSML-32GM41BCADC*	DSSML-64GM41BCADC*	DSSML-A28M41BCADC*	DSSML-B56M41BCADC*
Industrial Grade (-40°C ~ +85°C)	DSSML-32GM41BWADC*	DSSML-64GM41BWADC*	DSSML-A28M41BWADC*	DSSML-B56M41BWADC*

*=A-> Pin 8+ power cable

*=B-> Pin 8+ Pin 7