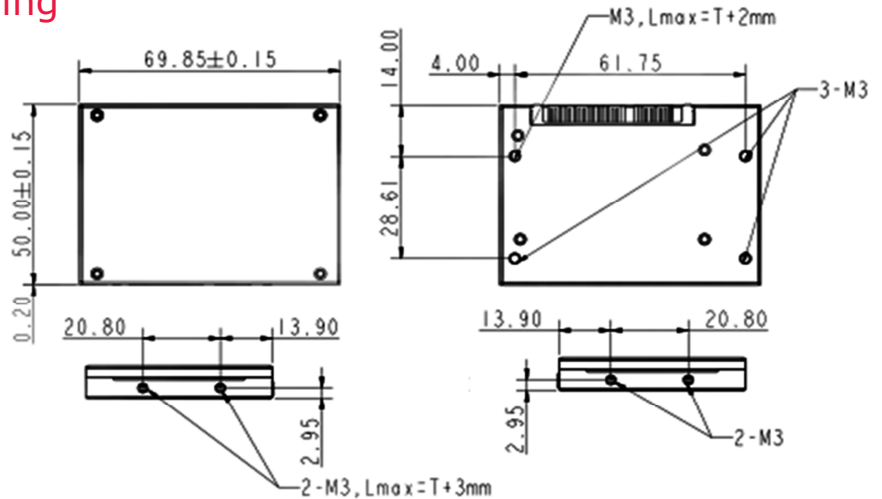


Slim SSD

3ME3 series

Drawing



Specifications

Interface	SATA III
Flash Type	MLC
Capacity	8GB~128GB
Max. Channels	4
Sequential R/W (MB/sec, max.)	350 / 130
Max. Power Consumption	1.6W (5V x 310 mA)
Thermal Sensor	ST- Optional/ WT- Default
External DRAM Buffer	-
H/W Write Protect	-
Pin7 Power	-
ATA Security	√
S.M.A.R.T.	√
Dimension (WxLxH)	69.85 X 50.0 X 9.0 mm
Environment	Vibration: 20G @7~2000Hz Shock: 1500G @ 0.5ms Storage Temperature: -55°C ~ +95°C MTBF: 3 million hours

Ordering Information

Operation Temp.	8GB	16GB	32GB	64GB	128GB	256GB
Standard Grade (0°C ~ +70°C)	DEMLM-08GD09BC1SC	DEMLM-16GD09BC1SC	DEMLM-32GD09BC1DC	DEMLM-64GD08BC1QC	DEMLM-A28D08BC1QC	DEMLM-B56D08BC1QC
Industrial Grade (-40°C ~ 85°C)	DEMLM-08GD09BW1SC	DEMLM-16GD09BW1SC	DEMLM-32GD09BW1DC	DEMLM-64GD08BW1QC	DEMLM-A28D08BW1QC	DEMLM-B56D08BW1QC