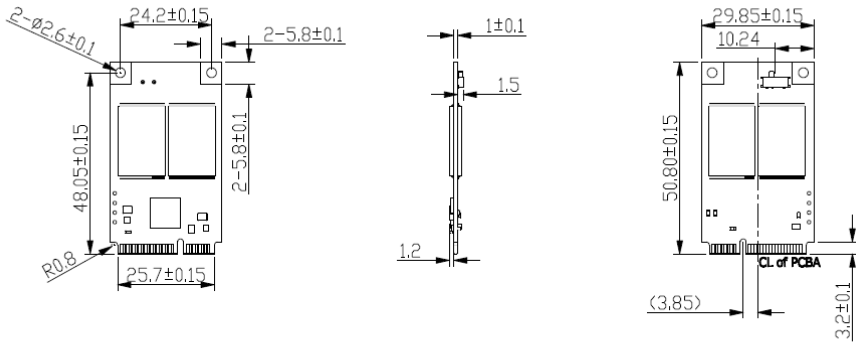


mSATA

3IE4 series

Diagram



Specifications

Interface	SATA III
Flash Type	ISLC
Capacity	8GB~128GB
Max. Channels	2
Sequential R/W (MB/sec, max.)*	530 / 365 MB/s
4KB Random (QD32) R/W (IOPS)**	31,000/31,000
Max. Power Consumption	0.6 W (3.3 V x 0.2 A)
Thermal Sensor	✓
External DRAM Buffer	-
H/W Write Protect	Optional
ATA Security	✓
S.M.A.R.T.	✓
Dimension (WxLxH)	29.85 X 50.8 X 3.7 mm
Environment	Vibration: 20G @7~2000Hz Shock: 1500G @ 0.5ms Storage Temperature: -55°C ~ +95°C MTBF: 3 million hours
* Sequential performance based on CrystalDiskMark 3.01 with file size 1000MB	
** Random performance based on IOMeter with Queue Depth 32	

Ordering Information (Please refer to TPS for detail)

Operation Temp.	8GB	16GB	32GB	64GB	128GB
Standard Grade (0°C ~ +70°C)	DHMSR-08GM41BC1DC DHMSR-08GM41BC1SC	DHMSR-16GM41BC1DC	DHMSR-32GM41BC1DC	DHMSR-64GM41BC1DC	DHMSR-A28M41BC1DC
Industrial Grade (-40°C ~ +85°C)	DHMSR-08GM41BC1DC DHMSR-08GM41BW1SC	DHMSR-16GM41BW1DC	DHMSR-32GM41BW1DC	DHMSR-64GM41BW1DC	DHMSR-A28M41BW1DC