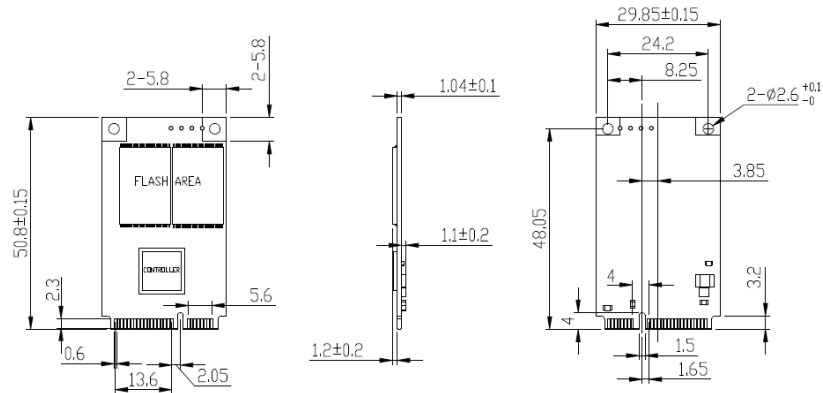


mSATA

3ME3 series

Diagram



Specifications

Interface	SATA III
Flash Type	MLC
Capacity	08GB~512GB
Max. Channels	4
Sequential R/W (MB/sec, max.)	400/200
Max. Power Consumption	1.4 W (3.3V x 433.6 mA)
Thermal Sensor	ST- Optional / WT-Default
TRIM	√
External DRAM buffer	-
Quick Erase	Optional
H/W Write Protect	Optional
ATA Security	√
S.M.A.R.T.	√
Dimension (WxLxH)	29.8 X 50.8 X 3.3 mm
Environment	Vibration: 20G @7~2000Hz Shock: 1500G @ 0.5ms Storage Temperature: -55°C ~ +95°C MTBF: 3 million hours

Ordering Information

Operation Temp.	08GB	16GB	32GB	64GB	128GB	256GB	512GB
Standard Grade (0°C ~ +70°C)	DEMSR-08GD09BC2SC	DEMSR-16GD09BC2SC DEMSR-16GD09BC2DC	DEMSR-32GD09BC2DC DEMSR-32GD08BC10C	DEMSR-64GD09BC2DC DEMSR-64GD08BC10C	DEMSR-A28D09BC2DC DEMSR-A28D08BC10C	DEMSR-B56D08BCBQC	DEMSR-C12D08BCBQC
Industrial Grade (-40°C ~ +85°C)	DEMSR-08GD09BW2SC	DEMSR-16GD09BW2SC DEMSR-16GD09BW2DC	DEMSR-32GD09BW2DC DEMSR-32GD08BW10C	DEMSR-64GD09BW2DC DEMSR-64GD08BW10C	DEMSR-A28D09BW2DC DEMSR-A28D08BW10C	DEMSR-B56D08BWBQC	DEMSR-C12D08BWBQC