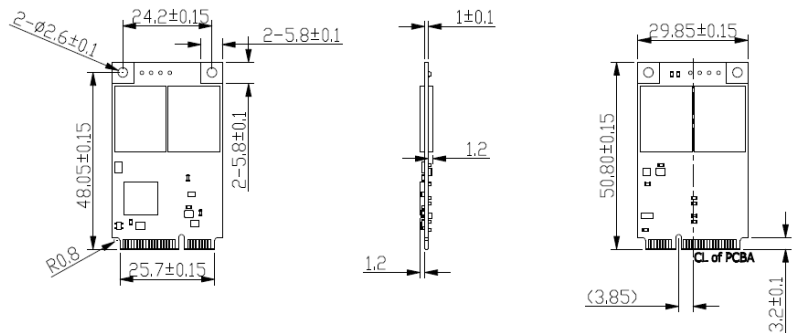


mSATA

3SE3 series

Diagram



TOLERANCE:±0.20 mm
UNIT:mm

Specifications

Interface	SATA III
Flash Type	SLC
Capacity	04GB~128GB
Max. Channels	4
Sequential R/W (MB/sec, max.)	385/225
Max. Power Consumption	0.5 W (3.3V x 180 mA)
Thermal Sensor	ST- Optional /WT- Default
TRIM	√
External DRAM buffer	-
H/W Write Protect	-
ATA Security	√
S.M.A.R.T.	√
Dimension (WxLxH)	29.8 X 50.8 X 3.4 mm
Environment	Vibration: 20G @7~2000Hz Shock: 1500G @ 0.5ms Storage Temperature: -55°C ~ +95°C MTBF: 3 million hours

Ordering Information

Operation Temp.	04GB	08GB	16GB	32GB	64GB	128GB
Standard Grade (0°C ~ +70°C)	DEMSR-04GD08SCASB	DEMSR-08GD08SCADB	DEMSR-16GD08SCAOB	DEMSR-32GD08SCAOB	DEMSR-64GD08SCAOB	DEMSR-A28D08SCAOB
Industrial Grade (-40°C ~ +85°C)	DEMSR-04GD08SWASB	DEMSR-08GD08SWADB	DEMSR-16GD08SWAOB	DEMSR-32GD08SWAOB	DEMSR-64GD08SWAOB	DEMSR-A28D08SWAOB